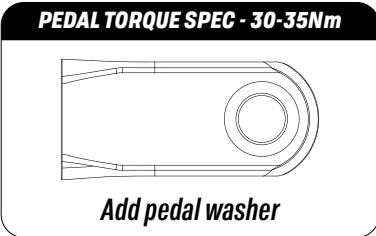
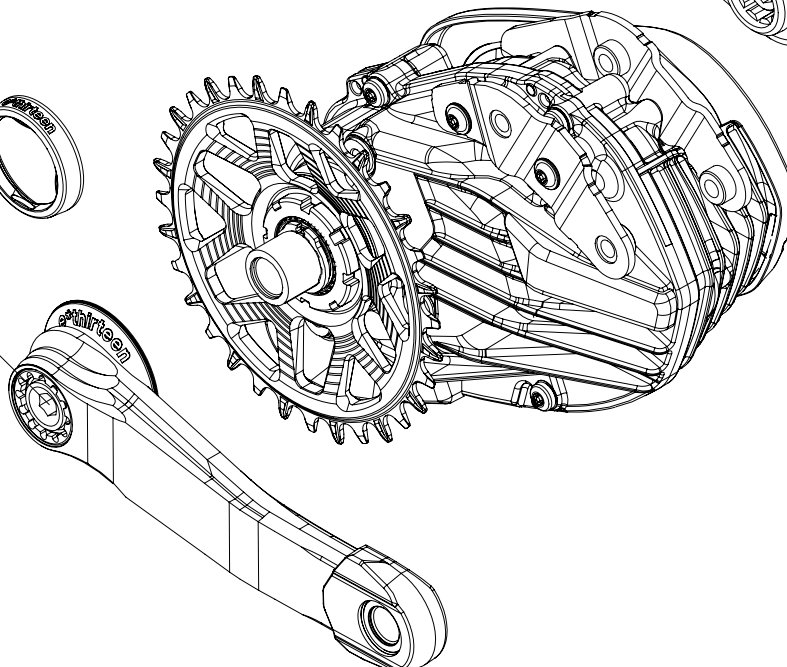
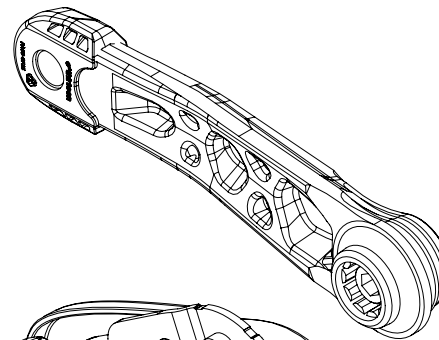
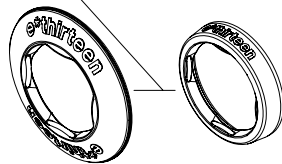


e*spec crank assembly and torque specs

*Optional Lockring seal provided with some crank interfaces
(Drive side only)*

Crank bolt - Right hand thread

● 8mm Hex / 40-45NM Torque Spec



GREASE
*All washer surfaces
*Threads
*Crank splines

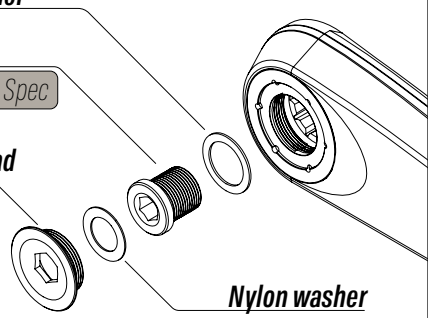
Steel washer

Crank bolt - Right hand thread

● 8mm Hex / 40-45NM Torque Spec

Self extractor cap - Right hand thread

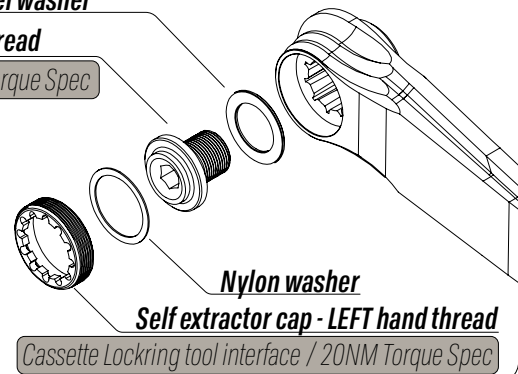
● 10mm Hex / 20NM torque spec



Steel washer

Crank bolt - Right hand thread

● 8mm Hex / 40-45NM Torque Spec

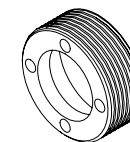


Nylon washer

Self extractor cap - LEFT hand thread

Cassette Lockring tool interface / 20NM Torque Spec

CORE VERSION SELF EXTRACTOR CAP



Cap 15Nm
RIGHT hand thread

CORE VERSION WITH STANDARD BOLT

Standard bolt

● 8mm Hex / 40-45NM Torque Spec

