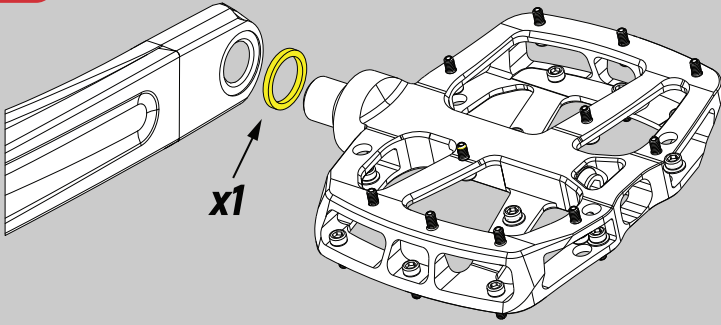
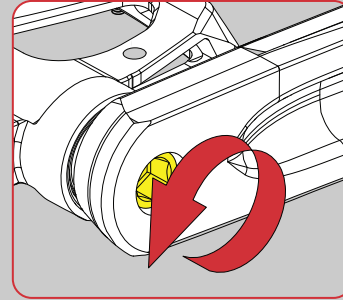


1

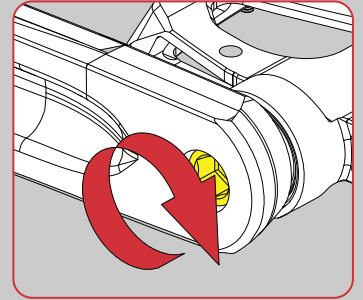


2

PEDAL INSTALL



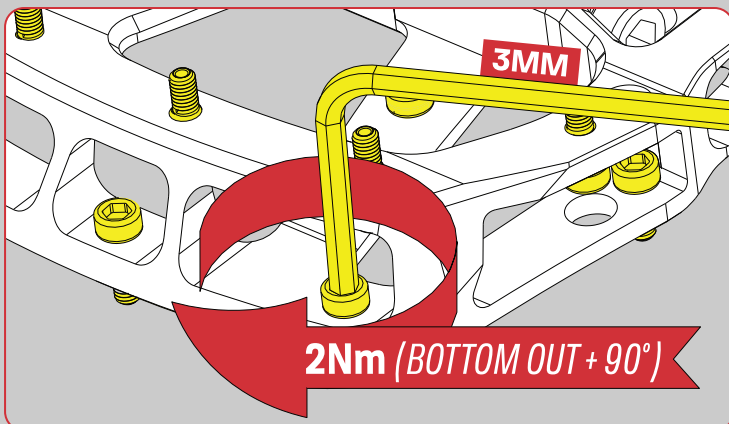
DRIVE/RIGHT SIDE



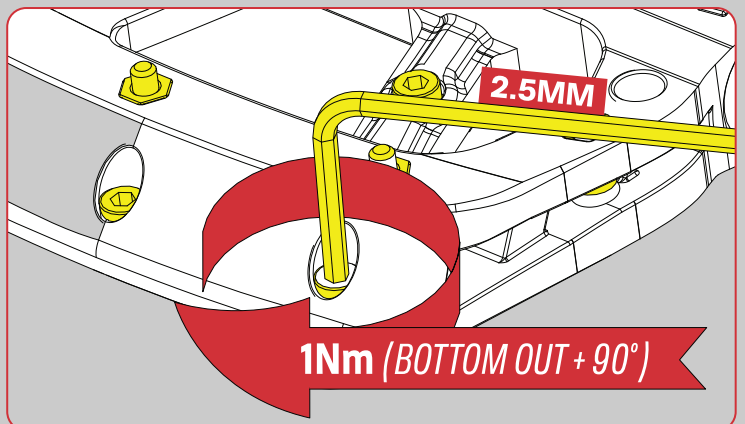
NON-DRIVE/LEFT SIDE

3

PIN INSTALL - PLUS

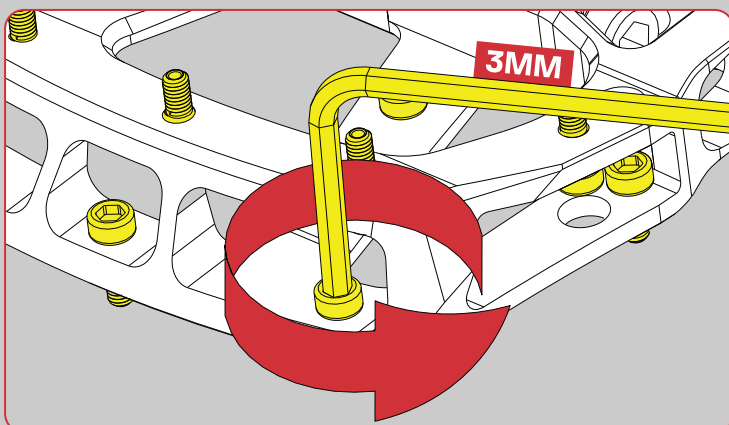


PIN INSTALL - BASE

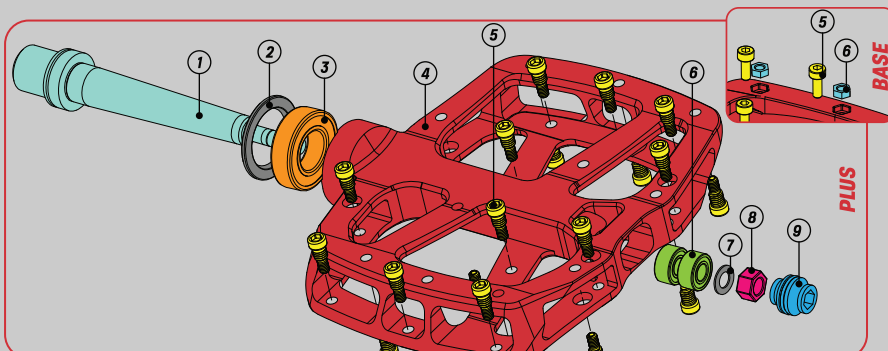
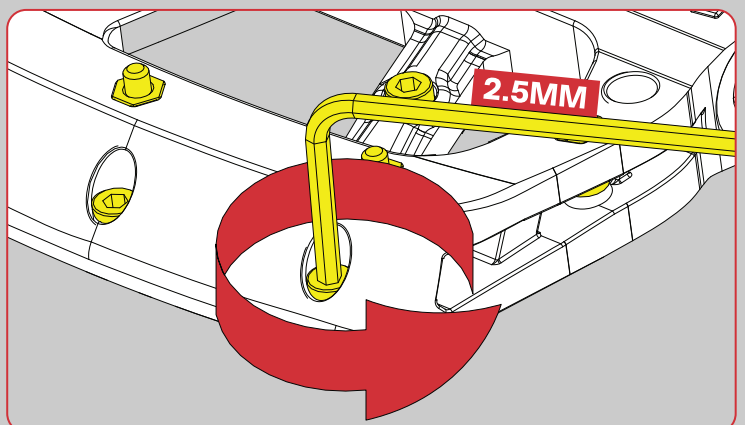


4

PIN REMOVAL - PLUS



PIN REMOVAL - BASE



e*thirteen Base Pedal Service Parts:
PDS20-102: e*thirteen | Base Flat Pedal Pin Kit | Incl. 22 Steel Pins and Nuts | Black
 - 5 (x22), 6 (x22)

e*thirteen Plus Pedal Service Parts:
PDS20-103: e*thirteen | Plus Flat Pedal Axle Rebuild Kit | For Both Pedals | Incl. Axles, Bearings, Seals, Washers, and Axle Nuts
 - 1 (x2), 2 (x2), 3 (x2), 6 (x4), 7 (x2), 8 (x2), 9 (x2)

PDS20-105: e*thirteen | Plus Flat Pedal Pin Kit | Incl. 12 Pins | Black
 - 5 (x12)