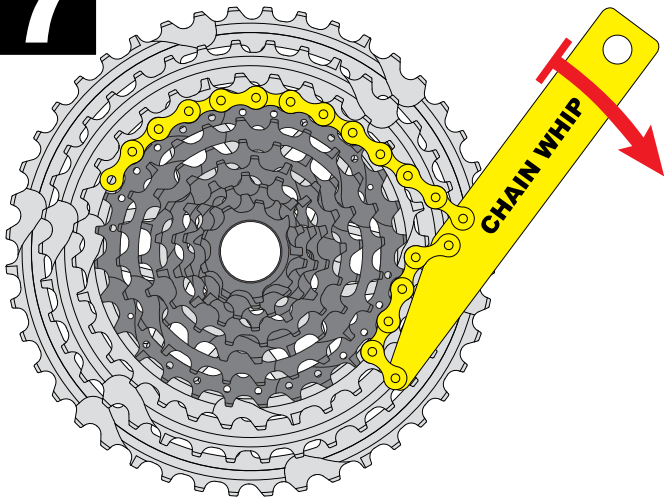
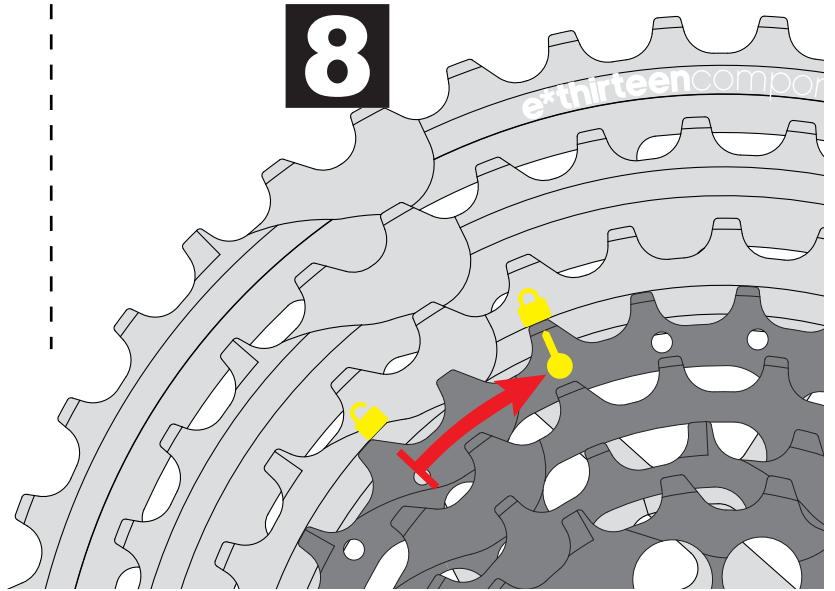


7



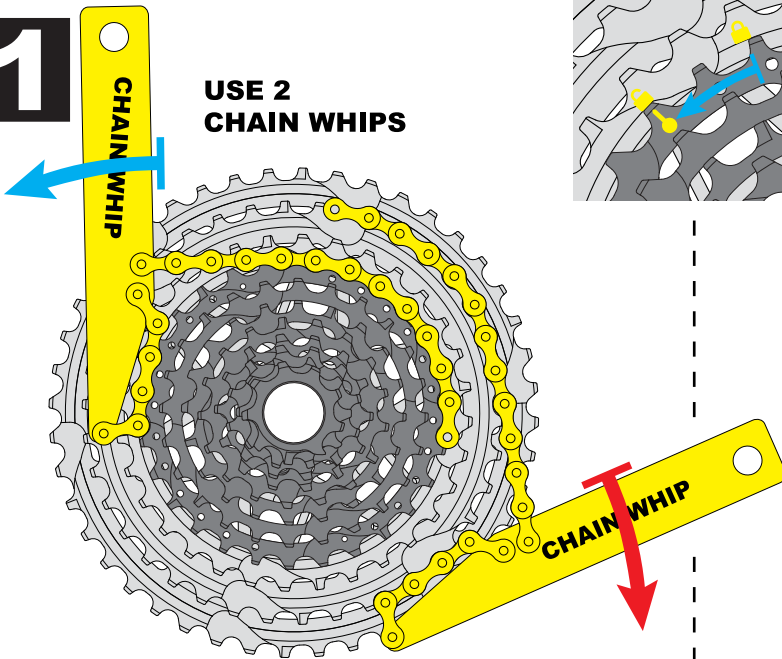
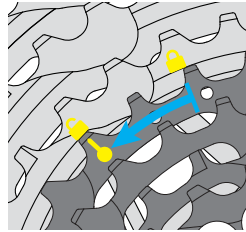
8



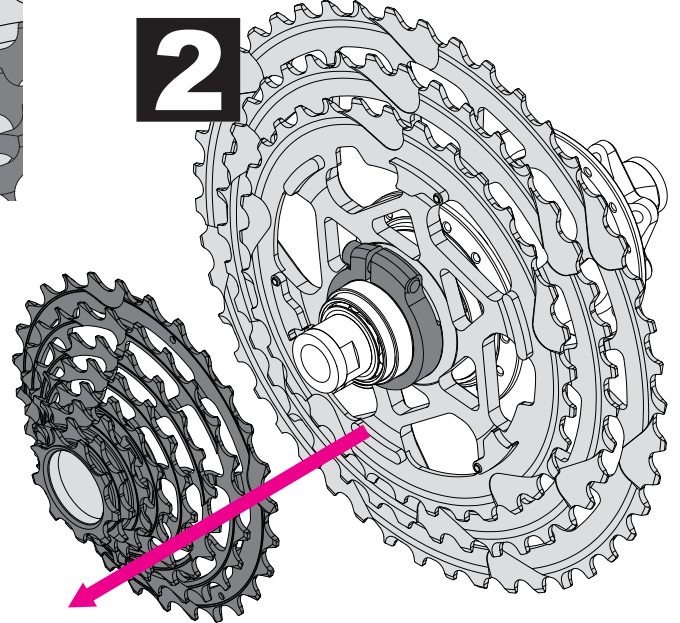
TRSr CASSETTE REMOVAL INSTRUCTIONS

1

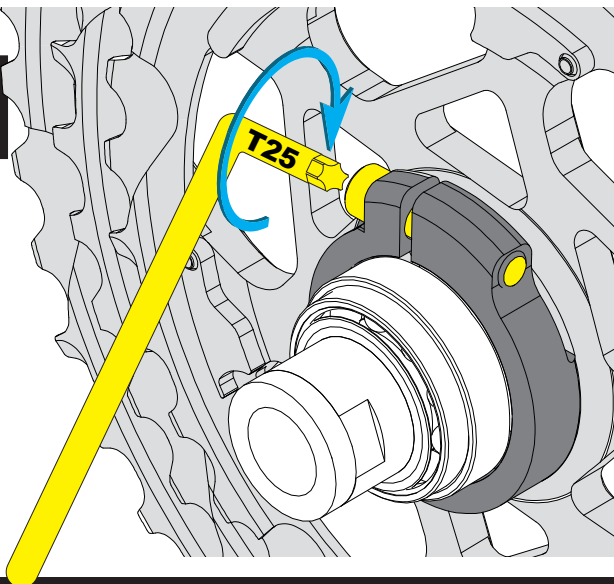
USE 2 CHAIN WHIPS



2



3



4

