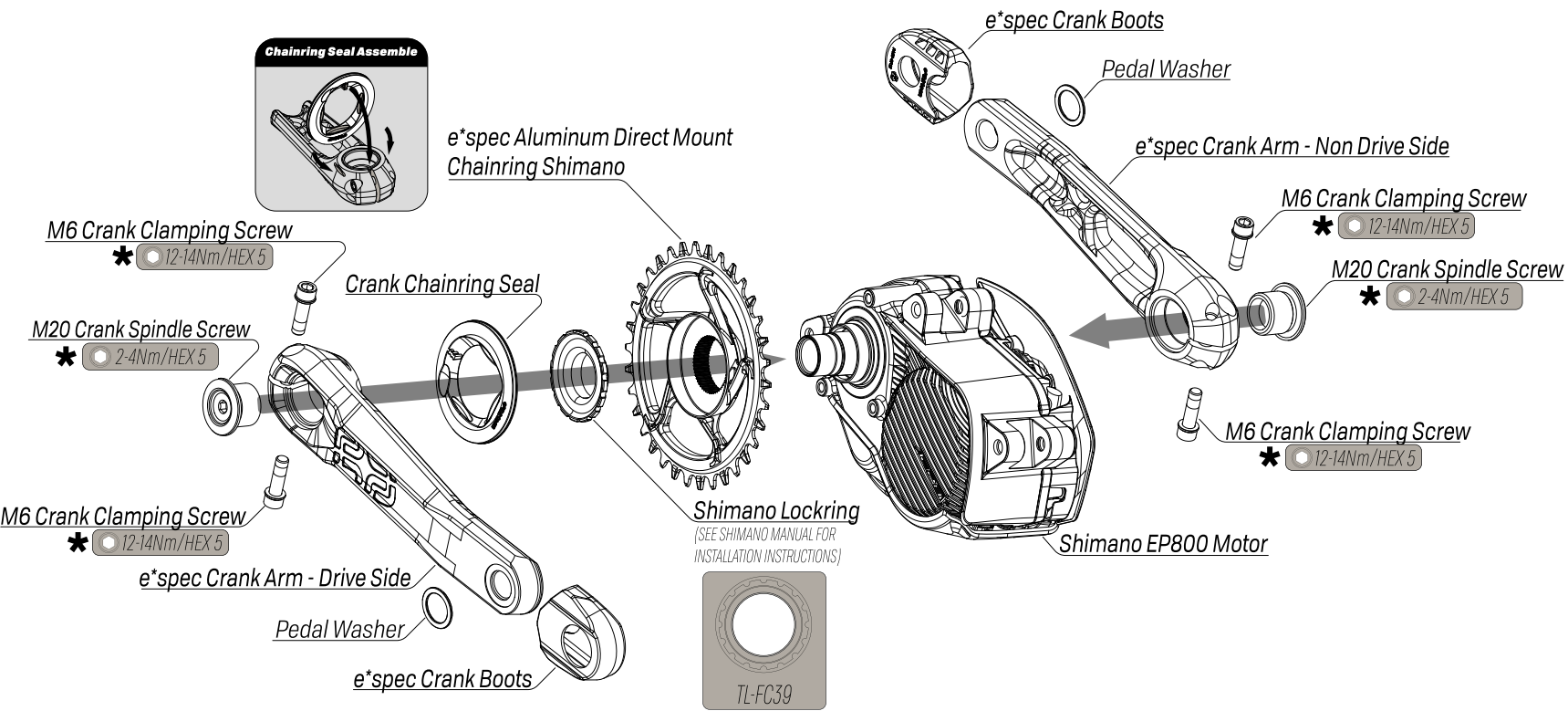
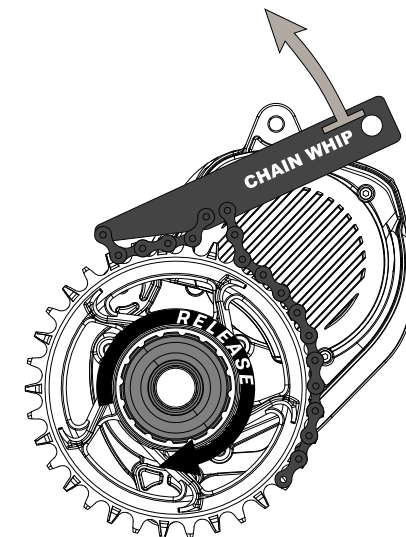
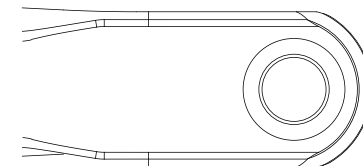


**SHIMANO EP800 MOTOR ASSEMBLY**

**EBIKE CRANKSET REMOVAL**



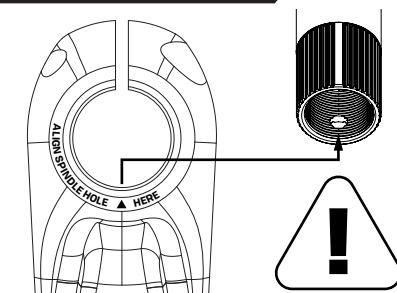
**PEDAL INSTALL**



**Pedal Recommended Tightening Torque**

**31 - 34Nm**

**CRANK ALIGNMENT**



**ALIGN SPINDLE HOLE HERE!**

**\* B**

**A**

**\*Tighten the M20 first then the M6 screws**  
**\*M6 tightening process: A, B, A, B - until 12-14nm**