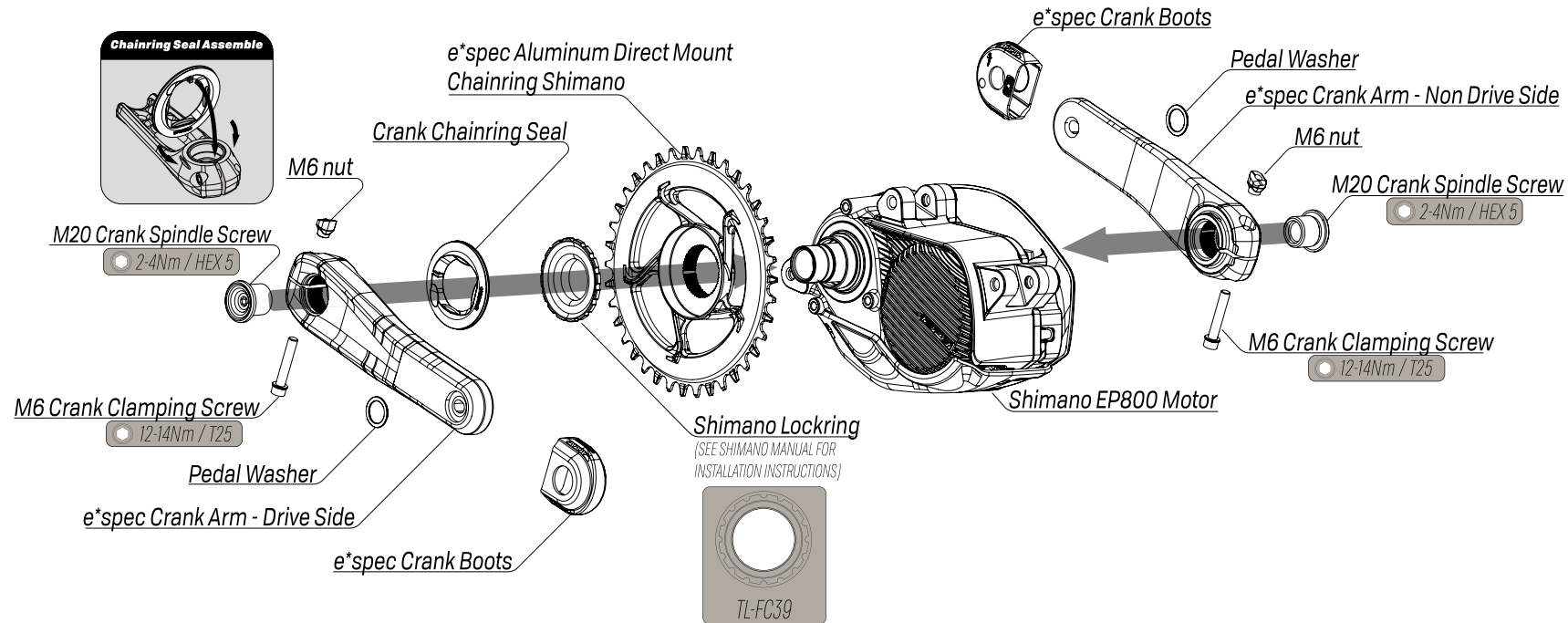
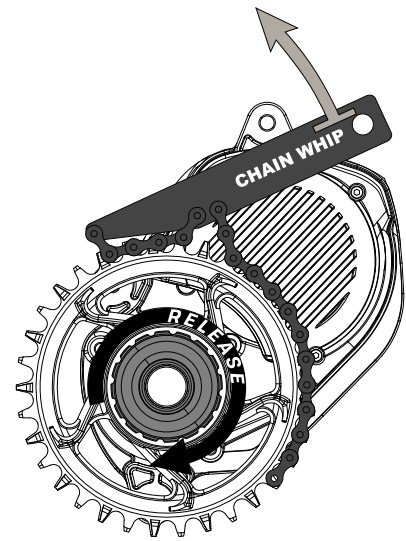


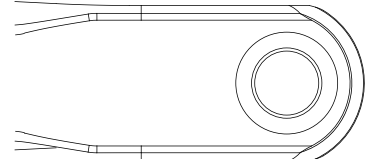
SHIMANO EP800 MOTOR ASSEMBLY



EBIKE CRANKSET REMOVAL



PEDAL INSTALL



Pedal Recommended Tightening Torque

31 - 34Nm

CRANK ALIGNMENT

