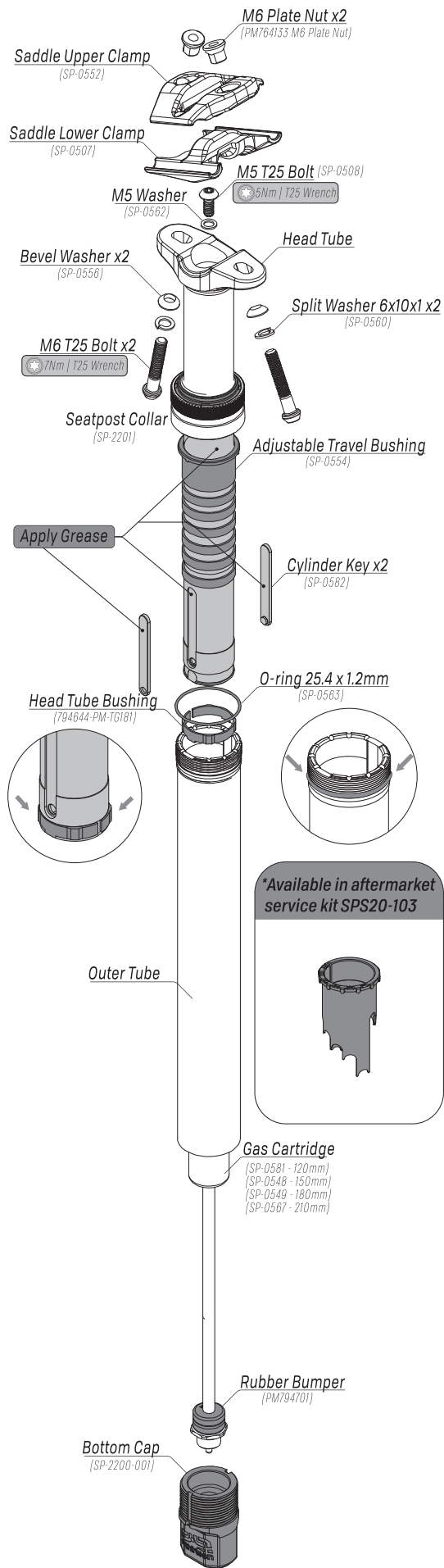
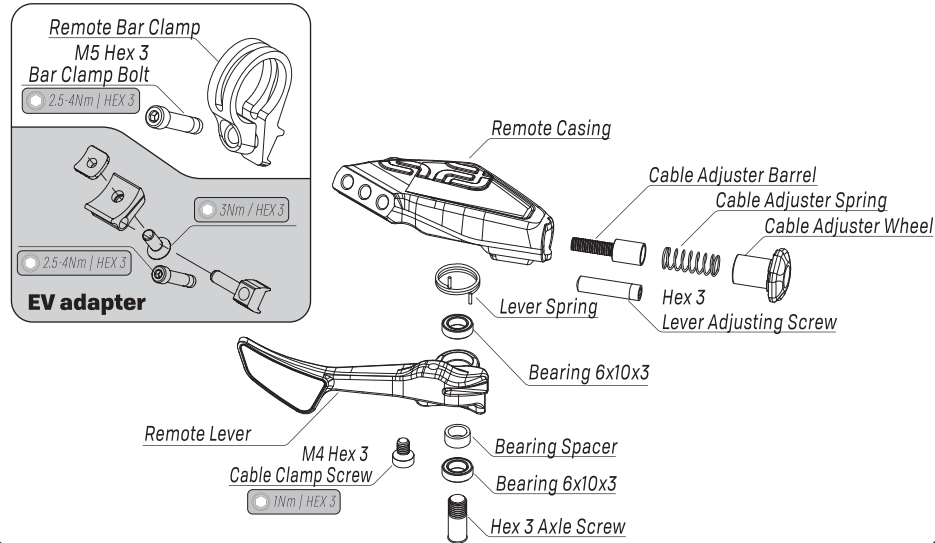


VARIO SEATPOST



VARIO INFINITE DROPPER POST

1x Lever



Maintenance item	After every ride	120 Hrs of ride time	Yearly
Clean dirt and debris	●		
Fasteners torque checking	●		
Lubricate top tube and seals	●		
Clean and lubricate top and lower bushing		●	
Inspect internals wear items and replace as needed			●

INSTALLATION

- Make sure you have selected the correct seat post outer diameter of the seat post to fit into the inner diameter of the seat tube of your frame. To verify the outer diameter, please look at the diameter size that is laser etched on the outer tube, below the minimum insertion line (see graph 1A).
- Check the length of the cable needed before assembling the seat post.
- Install the saddle on the clamps on the head of the seat post. Use T25 tool to tighten the M6 bolt to 7Nm MAX.
- Insert the seatpost into the seat tube and the post should not be positioned below "Minimum Insertion Length" (see graph 1A) which is etched in front of the seatpost.
- Tighten the seat post clamp using torque wrench to the recommended torque according to your frame manufacturer



QR LINK TO SUPPORT VIDEOS

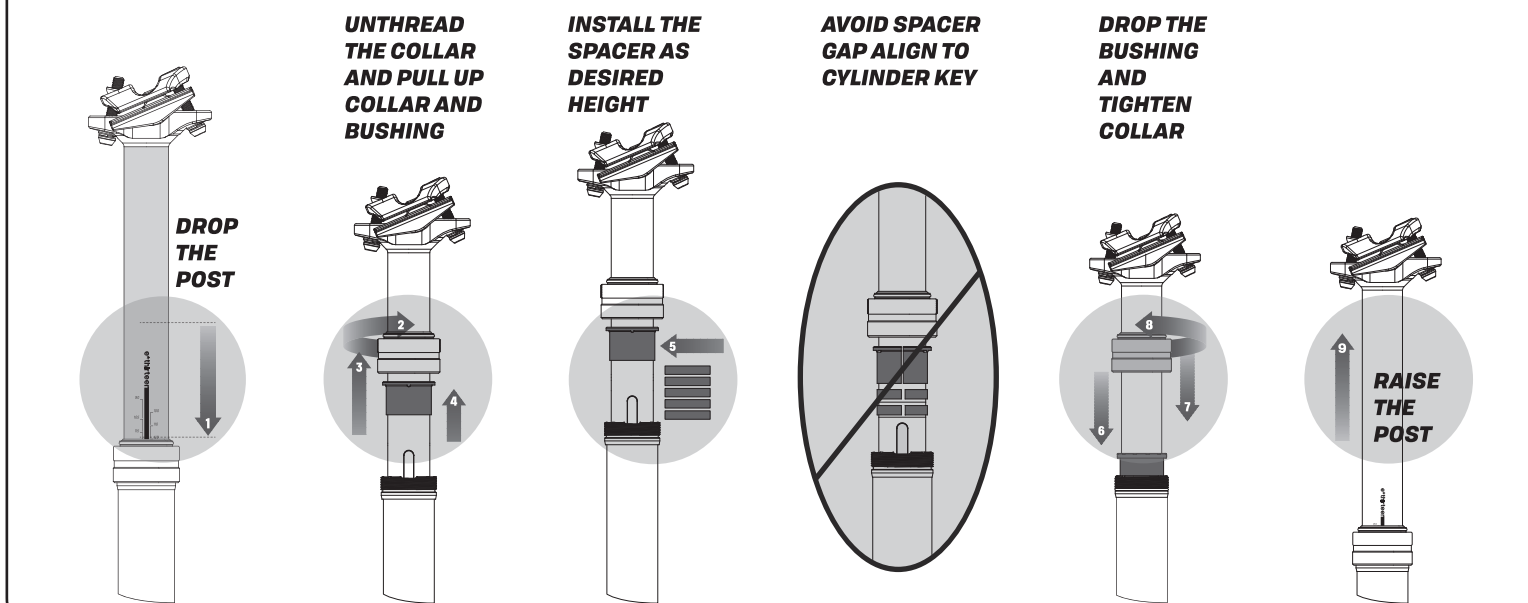
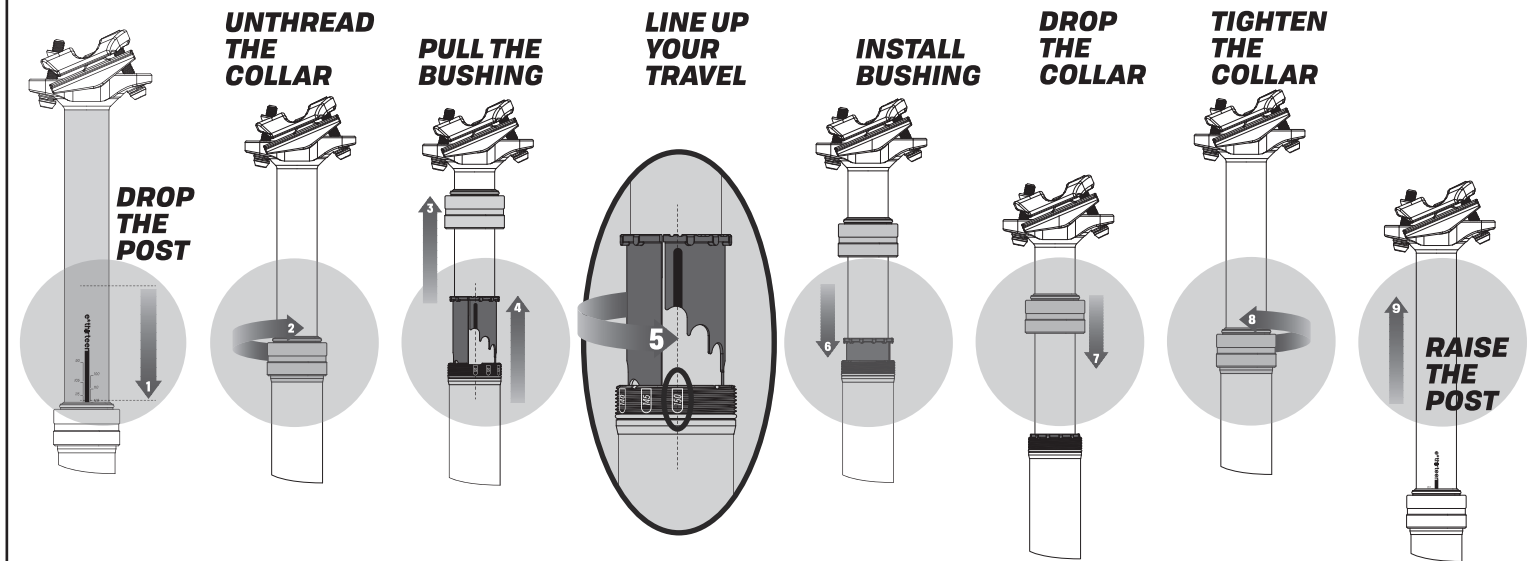


DROPPER POST INSTALLATION
DROPPER POST TRAVEL ADJUSTMENTS

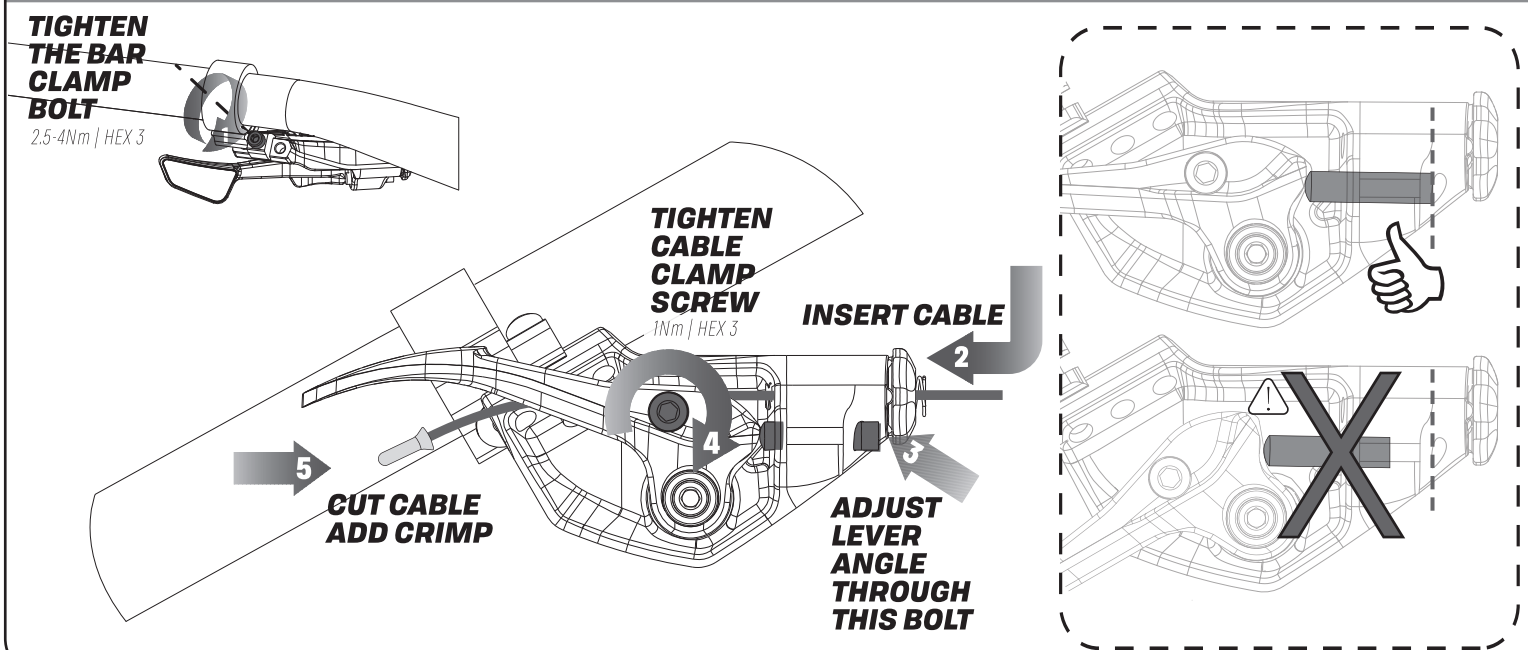


1X LEVER INSTALLATION

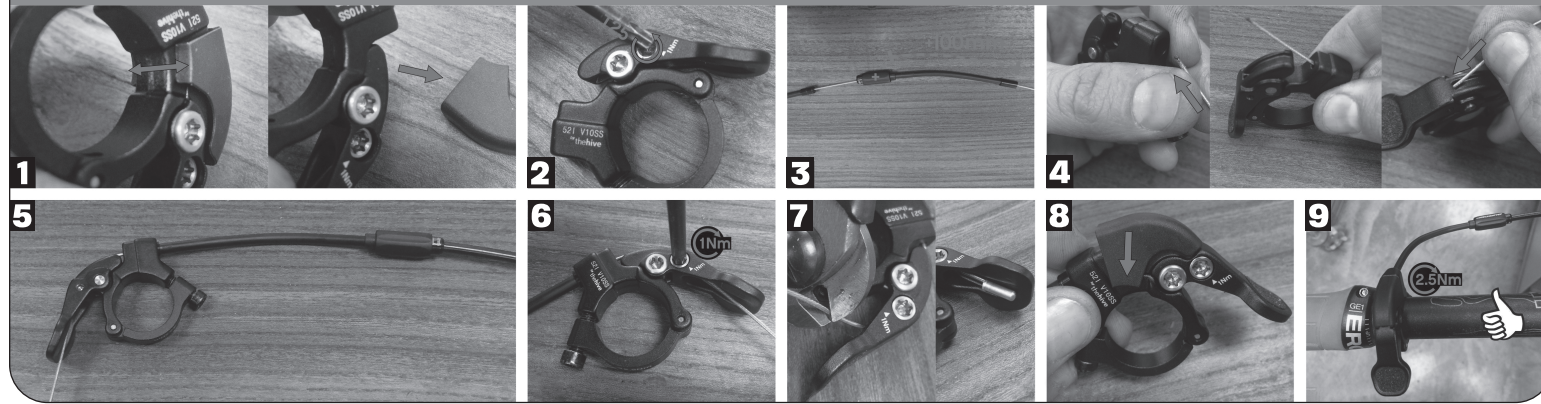
HEIGHT ADJUSTMENT QUICK TUTORIAL



LEVER INSTALLMENT QUICK TUTORIAL



TRS+ DROPPER POST COMPACT LEVER INSTALLMENT QUICK TUTORIAL



! WARNING !

The following warnings are **EXTREMELY IMPORTANT!** Please take some time to read through these warnings clearly and make sure you understand them before using the dropper seatpost. If you have questions about any of the below or the installations, please contact us immediately. Ignoring or failure to do so may cause serious malfunction that often leads to serious injury or death.

- Ensure the seat post diameter is correct and follow the specifications of your frame. Diameter mismatching will result in slippage or failure, causing serious injury or death.
- Ensure the seat post is inserted to at least the minimum insertion line. If minimum insertion line is exposed it can cause the post and/or frame to fail.
- Always make sure that the saddle is already installed onto the saddle clamp, and correctly tightened before activating the remote lever. Avoid looking directly on top of the head tube when activating lever or release mechanism.
- When finished adjusting the Adjustable Travel Bushing, always make sure nothing is in the way of the Upper Tube and the alignment is straight and well when inserting back to the Outer Tube. Stop pushing in when feeling resistance and seek preferred bicycle shop with this manual for assistance. Failing to do so may cause damage to the internals of the seat post and malfunction.
- Always make sure nothing is in the way of the seat tube when the seat post is inserted to the frame. Forcing the seat post into the frame when feeling resistance could cause damage to the frame. Especially with some full-suspension design frames, pivots or bends in the seat tube could prohibit the post from being inserted to desired height.
- Always ensure Seatpost Collar fully tightened after adjusting the Adjustable Travel Bushing, and before riding.
- Always keep the upper tube clean and lubricated before ride for optimal performance.
- Keep the seat post in fully extended (up) position when storing for extended periods.
- Always have an experienced bicycle mechanic in your preferred bicycle shop to perform the installation of the seat post with this manual.
- Following any crash, please have a certified mechanic inspect your seat post and bike for damage to ensure the seat post is still safe to ride.
- Always wear a helmet and ride within your limits. 