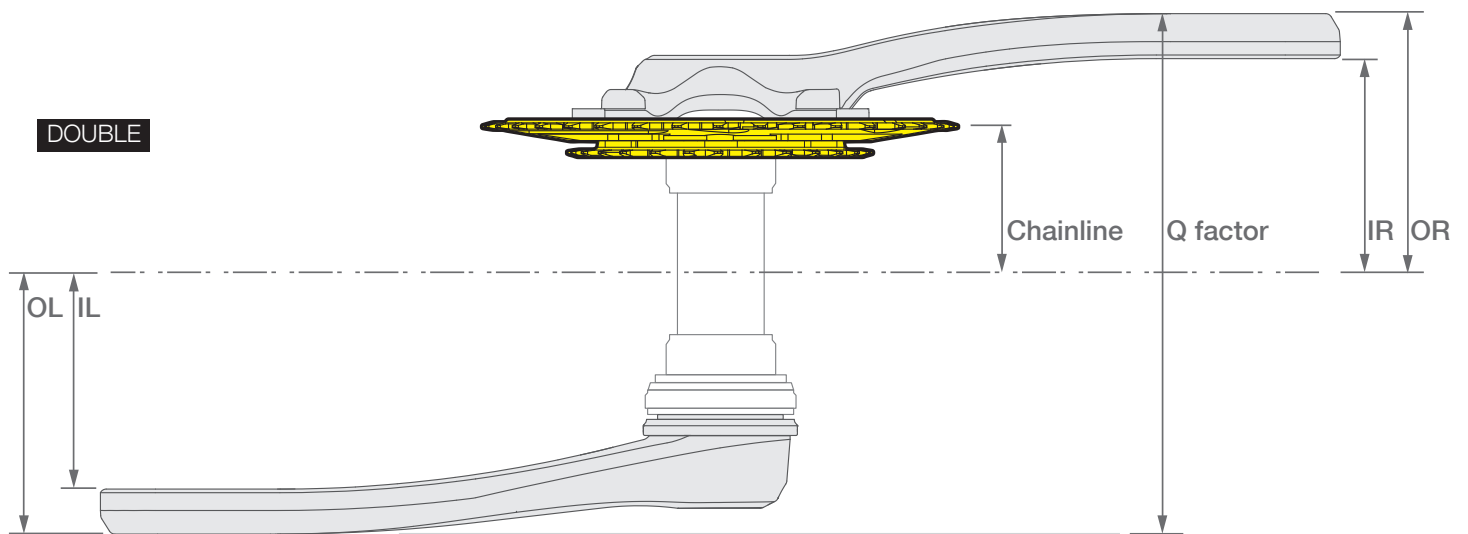


| Model | IR | OR | IL | OL | Chainline | Q factor |
|----------------------------------|-------|-------|-------|-------|-----------|----------|
| LG1 Base / Plus / Race 73mm - SS | 71.50 | 85.00 | 72.50 | 86.00 | 51 | 168 |
| LG1 Base / Plus / Race 83mm - SS | 76.50 | 90.00 | 77.50 | 91.00 | 56 | 181 |

IR: Centerline to inside Right Crank **OR:** Centerline to pedal interface counterbore on Right Crank
IL: centerline to inside Left Crank **OL:** centerline to pedal interface counterbore on Left Crank



| Model | IR | OR | IL | OL | Chainline | Q factor |
|--------------------------------------|-------|-------|-------|-------|-----------|----------|
| LG1 Base / Plus / Race 73mm - Double | 71.50 | 85.00 | 72.50 | 86.00 | 51 | 168 |

IR: Centerline to inside Right Crank **OR:** Centerline to pedal interface counterbore on Right Crank
IL: centerline to inside Left Crank **OL:** centerline to pedal interface counterbore on Left Crank