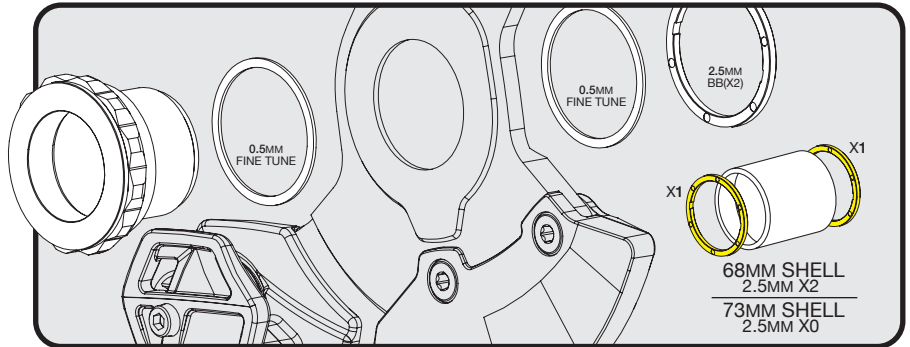
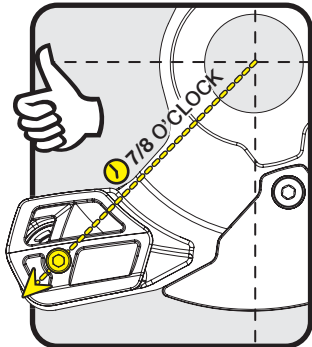
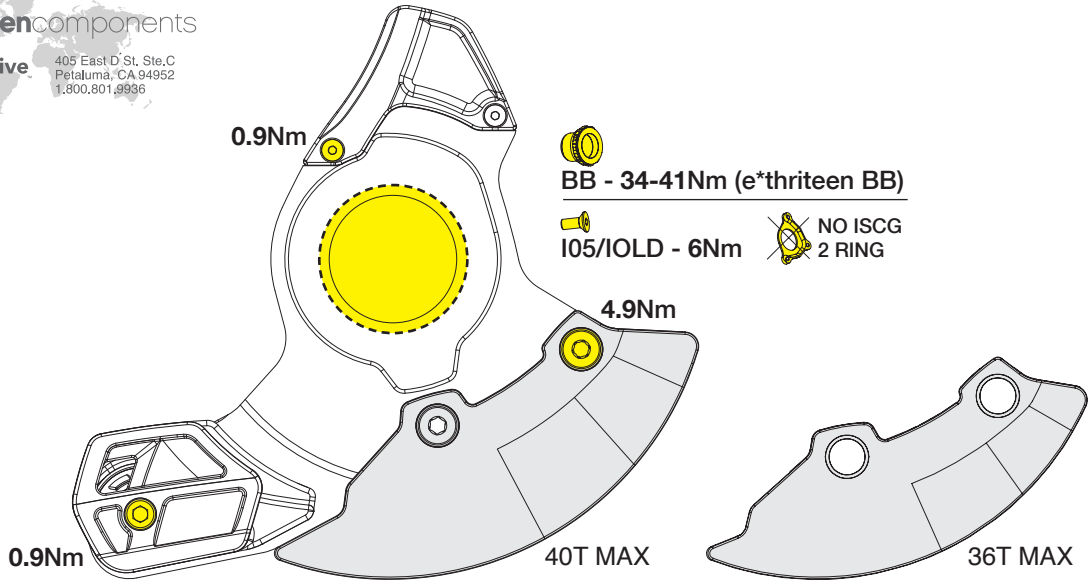


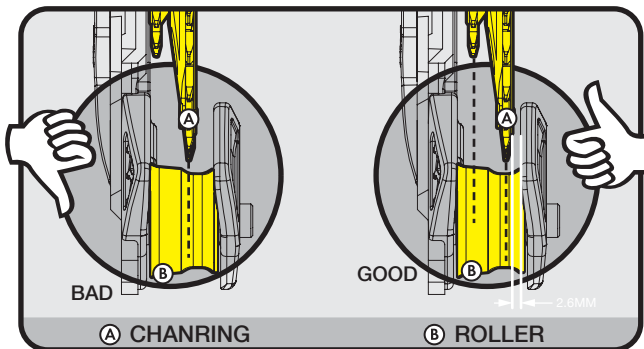
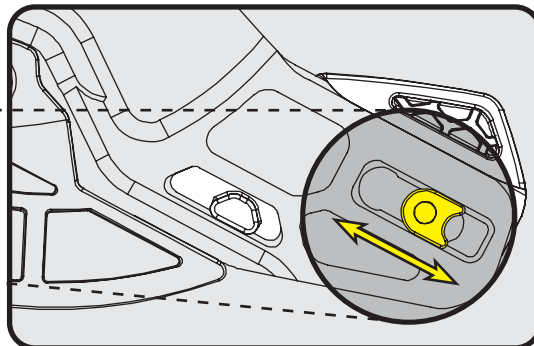
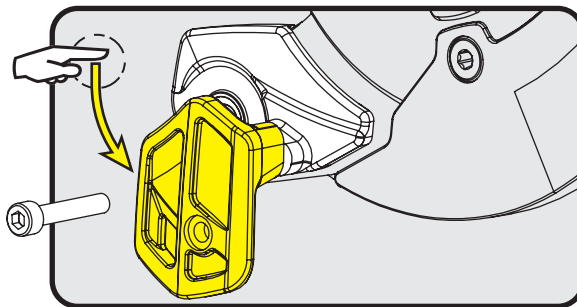
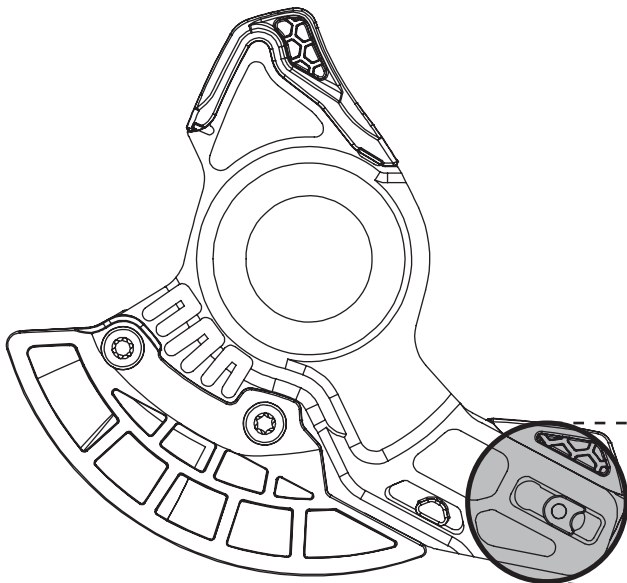


e*thirteen components



405 East D St, Ste.C
Petaluma, CA 94952
1.800.801.9936





BB SHELL WIDTH	CHANLINE	TYPICAL BB SPINDLE LENGTH	SPACER WASHERS NEEDED BETWEEN BACKPLATE AND ISCG TAB		
			BLACK (2.5MM)	GOLD (1.25MM)	
68	47.5	113	0	FINE TUNE	
68 OR 73	50	113	0	FINE TUNE	
68 OR 73	52.5	118	1	FINE TUNE	
68 OR 73	55	123	2	FINE TUNE	
68 OR 73	57.5	128	3	FINE TUNE	
83	57.5	128	1	FINE TUNE	
83	60	133	2	FINE TUNE	
100	63.5	140	0	FINE TUNE	
100	65	145	1	FINE TUNE	

INCLUDED: (LONG BOLTS x3) (SHORT BOLTS x3) (x2 BB 0.5mm SPACER)
 (THICK 2.5mm WASHERS x6) (THIN 1.25mm WASHERS X3)