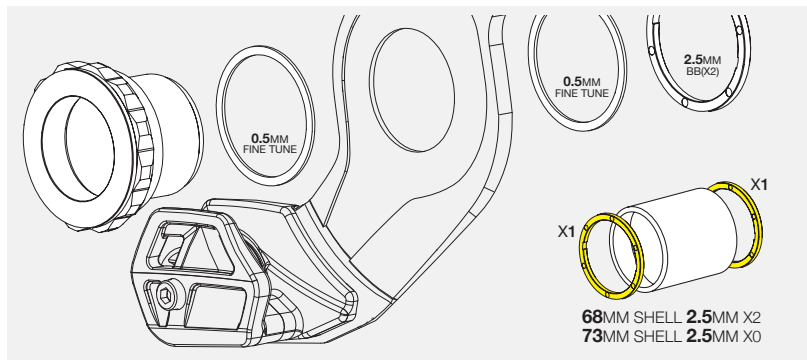
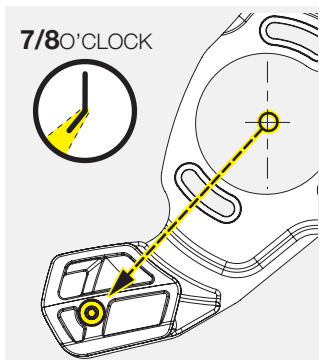
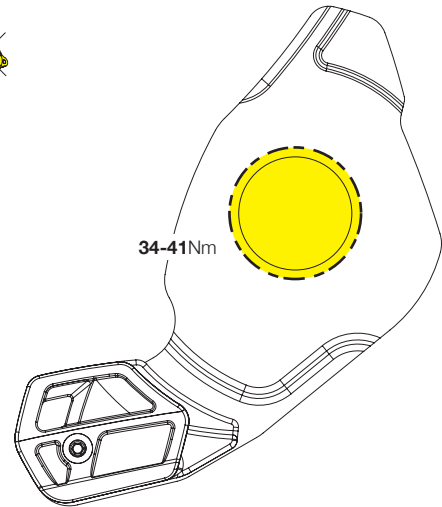
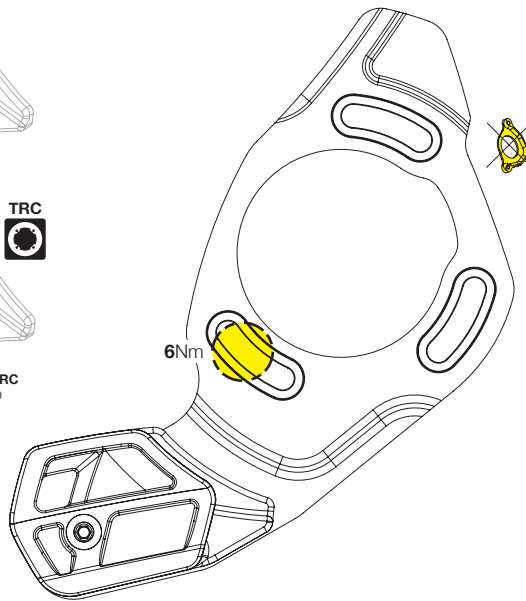
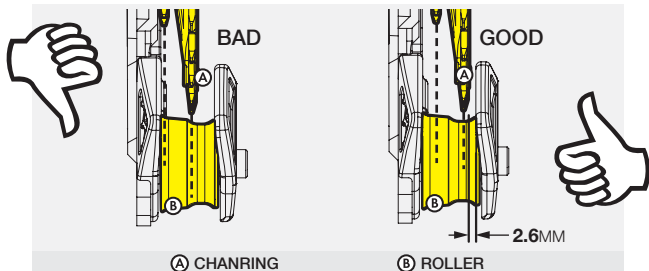
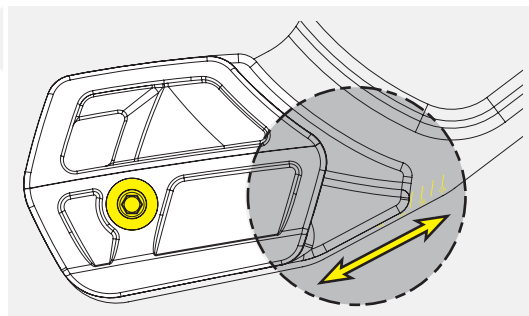
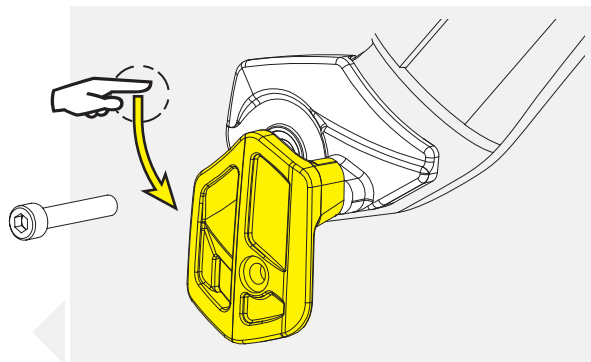
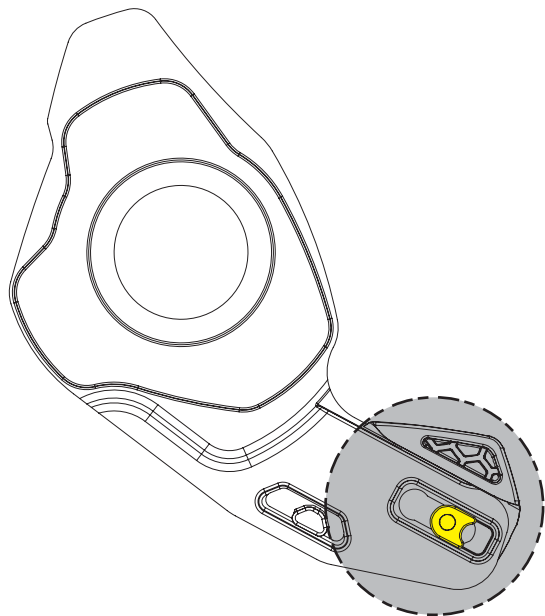


USE WITH OPTIONAL *TRC
*TRC NOT INCLUDED





ISCG SPACER / CHAINLINE ADJUSTMENT CHART					
BB SHELL WIDTH	CHAINLINE	TYPICAL BB SPINDLE LENGTH	SPACERS NEEDED BETWEEN BACKPLATE AND ISCG TAB		
			BLACK (2.5MM)	GOLD (1.25MM)	
68	47.5	113	0-1	FINE TUNE	
68 / 73	50	113	0-1	FINE TUNE	
68 / 73	57.5	128	2-3	FINE TUNE	
83	57.5	128	0-1	FINE TUNE	
100	65	145	0-1	FINE TUNE	

INCLUDED: (LONG BOLTSx3) (SHORT BOLTSx3) (THICK WASHERS 2.5MMx6) (THIN WASHERS 2.5MMx3) (1xISCG ADAPTER)