

TECHNICAL SERVICE BULLETIN



Products included in this TSB:

- XCX E-type chainguide
- Specialized Bicycle frames/bikes using S3/E-type/ low direct mount front derailleurs

TSB intended for:

- Distributors
- Dealers
- End users

Abstract: Certain Specialized bicycles may use a front derailleur mount that does not use the mounting offset specified by the Shimano E-type or Sram S3 mounting standard. As a result the XCX E-type chainguide will require a spacer and longer screw in order to fit those bikes properly.

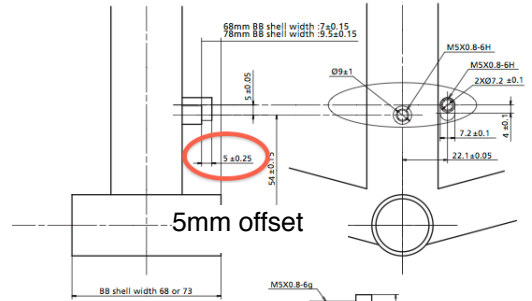
Identifying the issue: Both Shimano and Sram specify a 5mm offset between derailleur mounting screws. Certain Specialized frames do not use this offset. This results in the frames being incompatible with the XCX E-type guide as it does have a 5mm offset as specified by the standard. Many of these frames use a mounting bracket for the front derailleur as shown at right.

Recommended action: The guide may be mounted to the frame by using a 5mm spacer (not included) under the front mounting position. You may use the spacers that come with the guide for fine-tuning the chainline as usual.

If using an added 5mm spacer and any of the included shims for fine tuning, a 20mm front M5 mounting screw should be sourced and used to ensure proper thread penetration of the front screw.

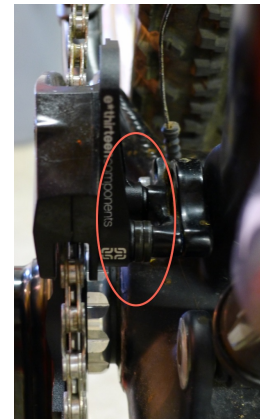
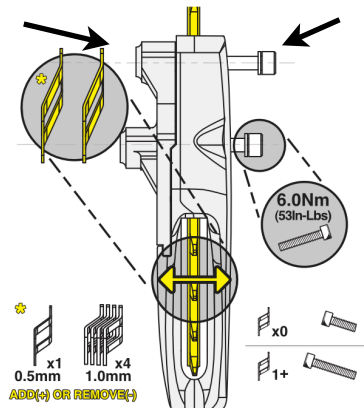
Bottom bracket mount front derailleur (w/o BB-plate)

If you use w/o BB-plate E-type, the frame should be kept as following dimensions.



Specialized frame using adapter plate without 5mm

Add 5mm spacer Use 20mm M5 screw



5mm of spacers added to compensate for offset