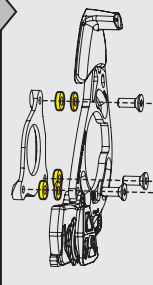
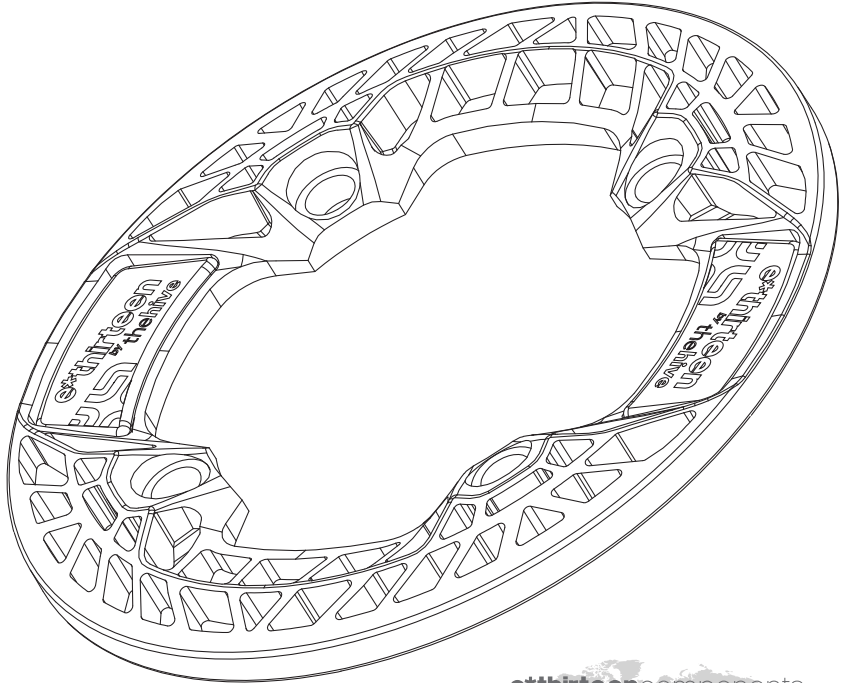
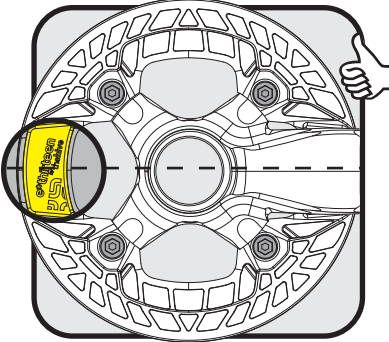
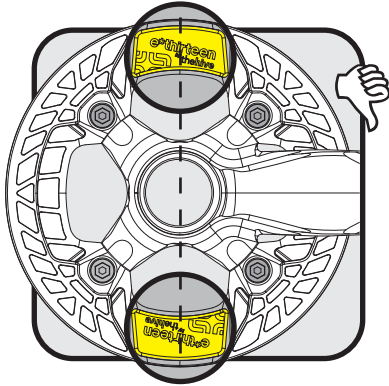


BB SHELL WIDTH	CHAINLINE	TYPICAL BB SPINDLE LENGTH	SPACER WASHERS NEEDED BETWEEN BACKPLATE AND ISCG TAB	
			BLACK (2.5MM)	GOLD (3.25MM)
68	47.5	113	0	FINE TUNE
68 OR 73	50	113	0	FINE TUNE
68 OR 73	52.5	118	1	FINE TUNE
68 OR 73	55	123	2	FINE TUNE
68 OR 73	57.5	128	3	FINE TUNE
83	57.5	128	1	FINE TUNE
83	60	133	2	FINE TUNE
100	63.5	140	0	FINE TUNE
100	65	145	1	FINE TUNE



INCLUDED : () LONG BOLTS x 3 () SHORT BOLTS x 3 () x1 ISCG ADAPTER () THICK 2.5mm WASHERS x 6 () THIN 1.25mm WASHERS x 3



Turbocharger badges
align with crank arm axis

e*thirteencomponents



405 East D St, Ste.C
Petaluma, CA 94952
1.800.801.9936

The incredibly light, amazingly strong, impact absorbing Turbocharger bashguard.
Another cycling innovation brought to you by e.thirteen components.