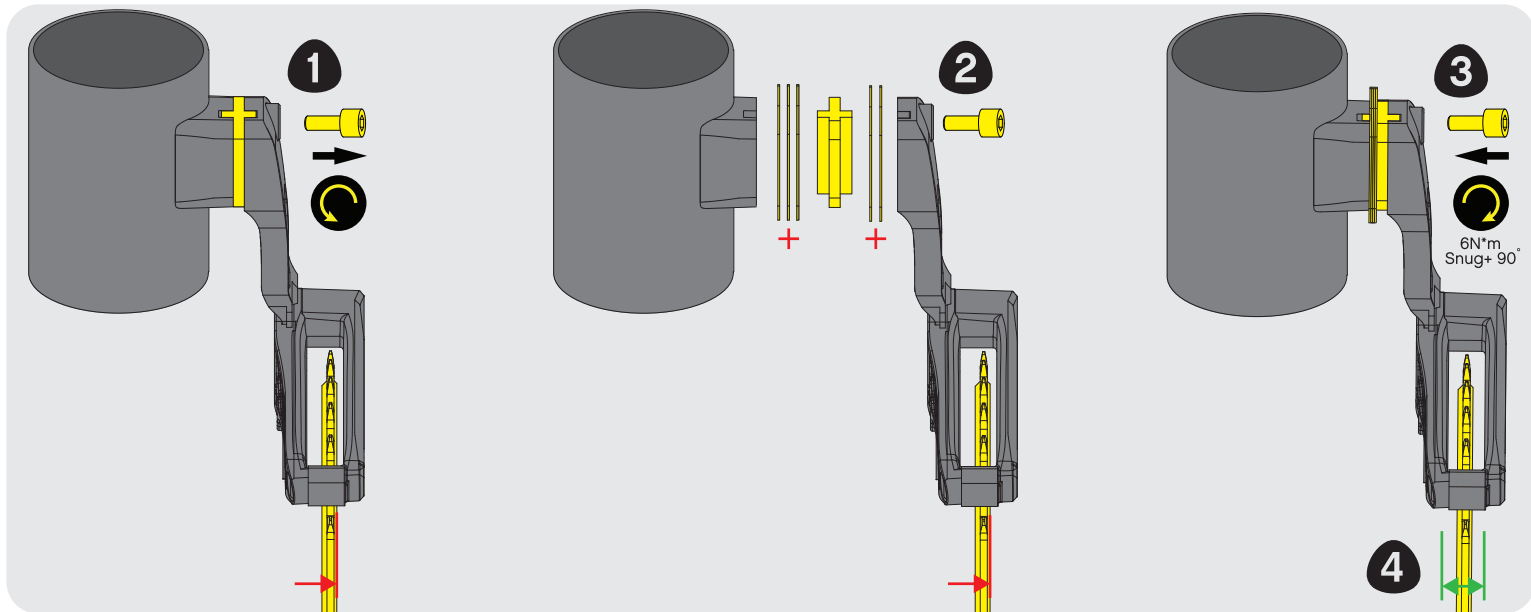
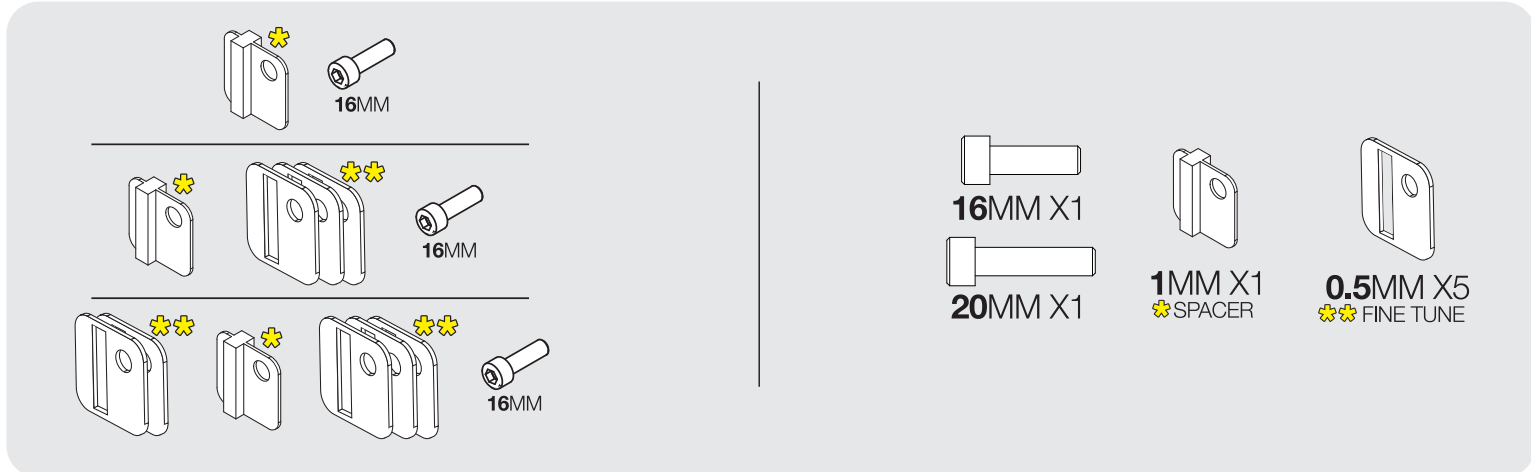


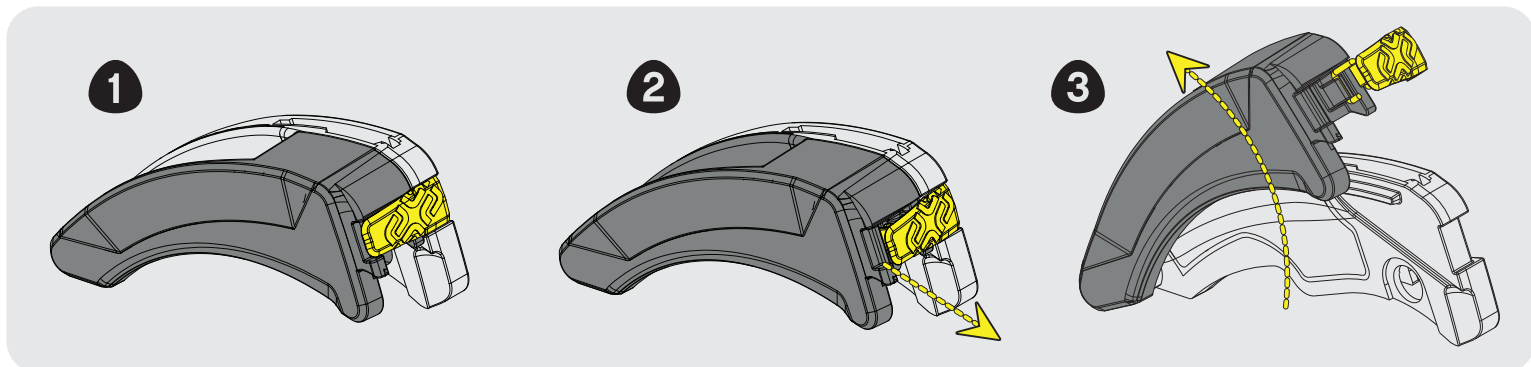
### ADJUST CHAINLINE



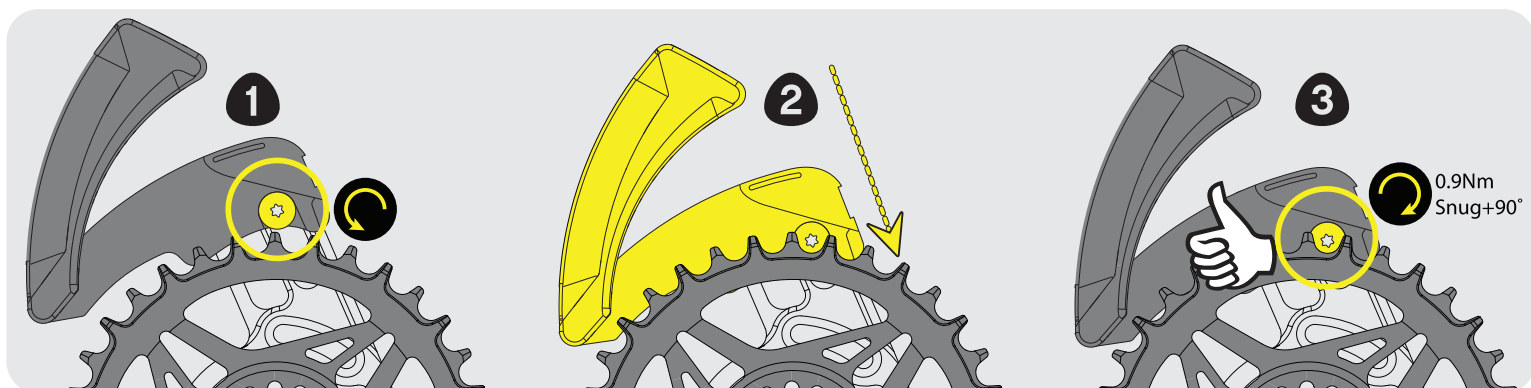
### SPACER CONFIGURATION TABLE



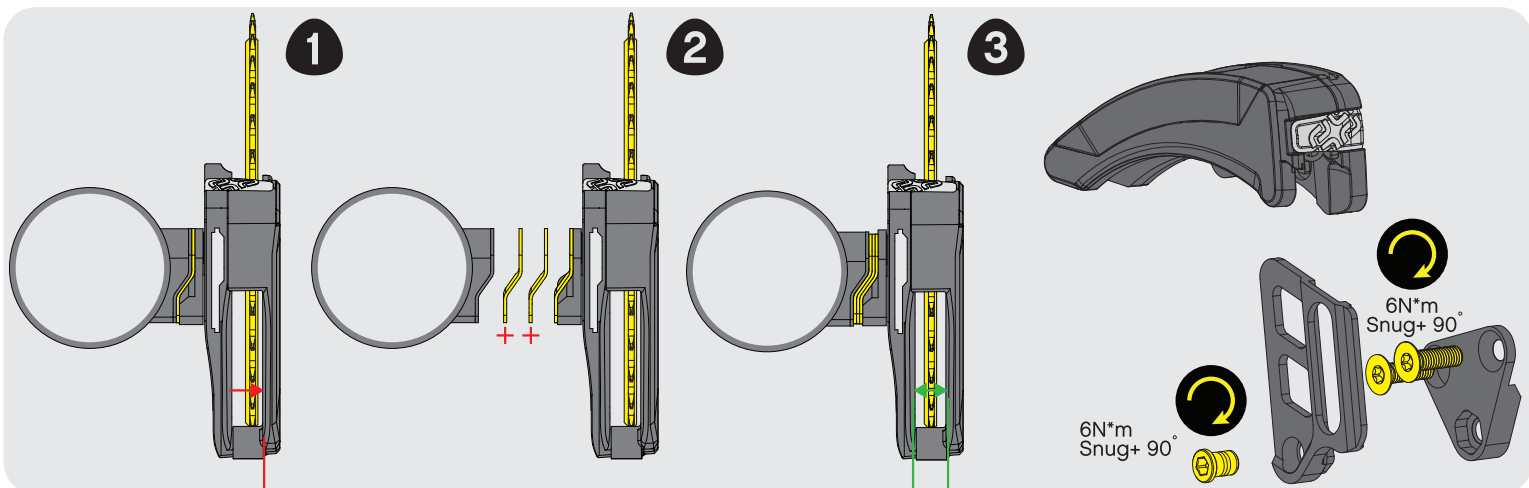
### OPENING UPPER SLIDER



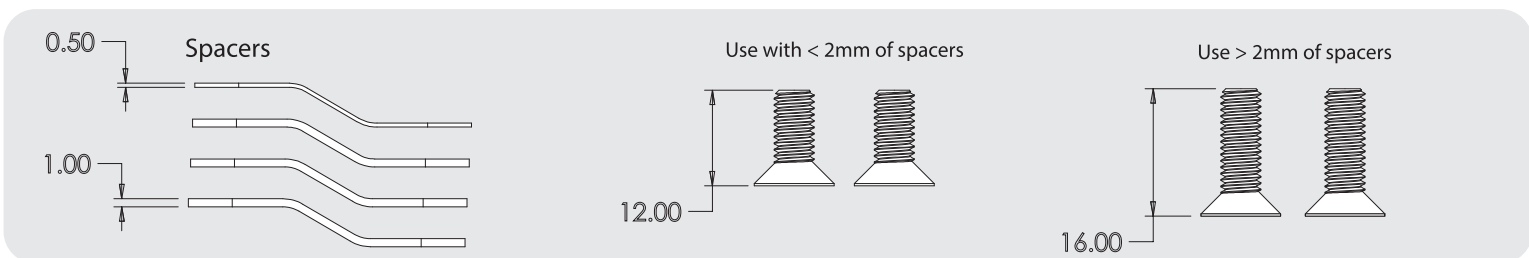
### SET UPPER SLIDER POSITION



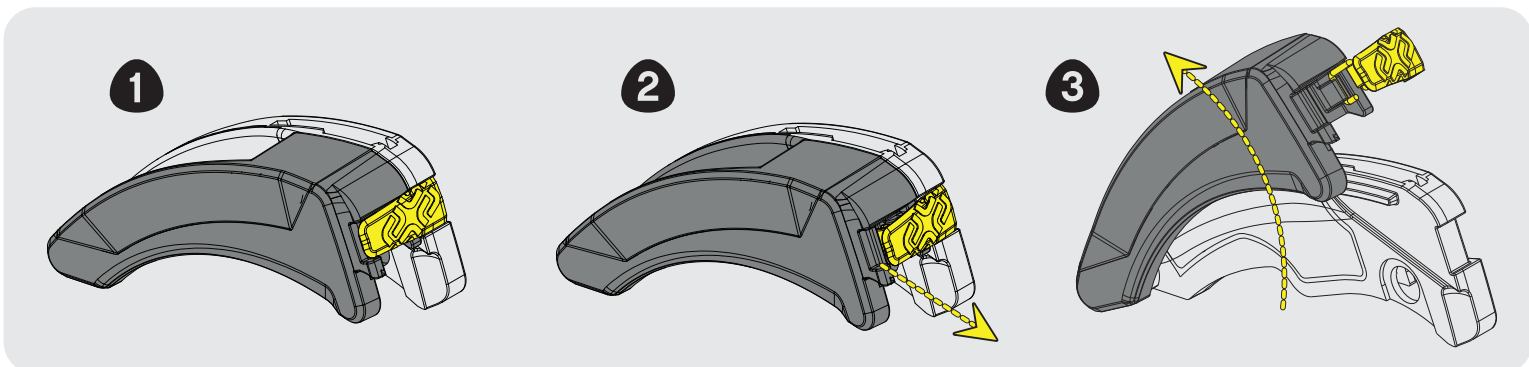
### ADJUST CHAINLINE



### SPACERS AND SCREWS



### OPENING UPPER SLIDER



### SET UPPER SLIDER POSITION

