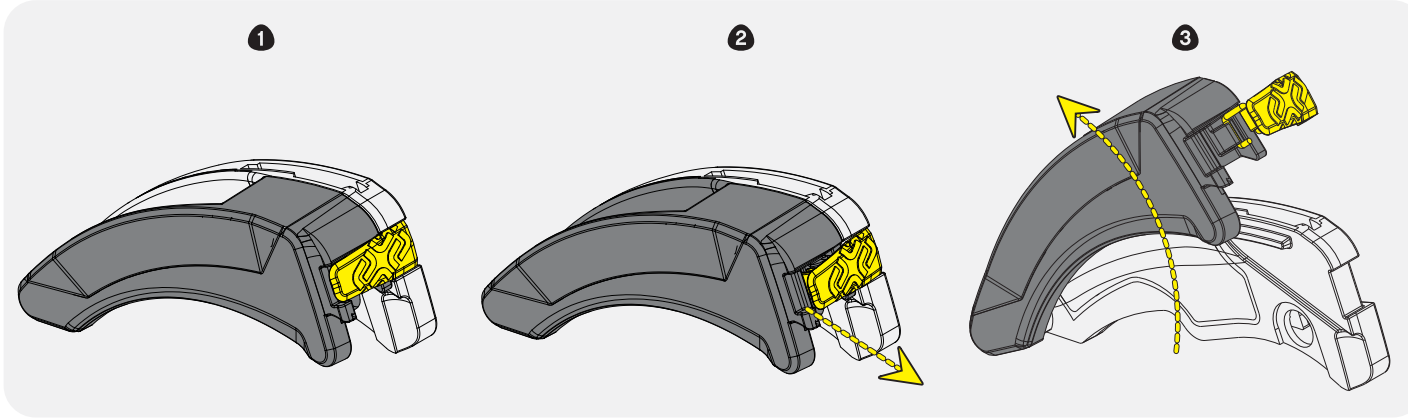
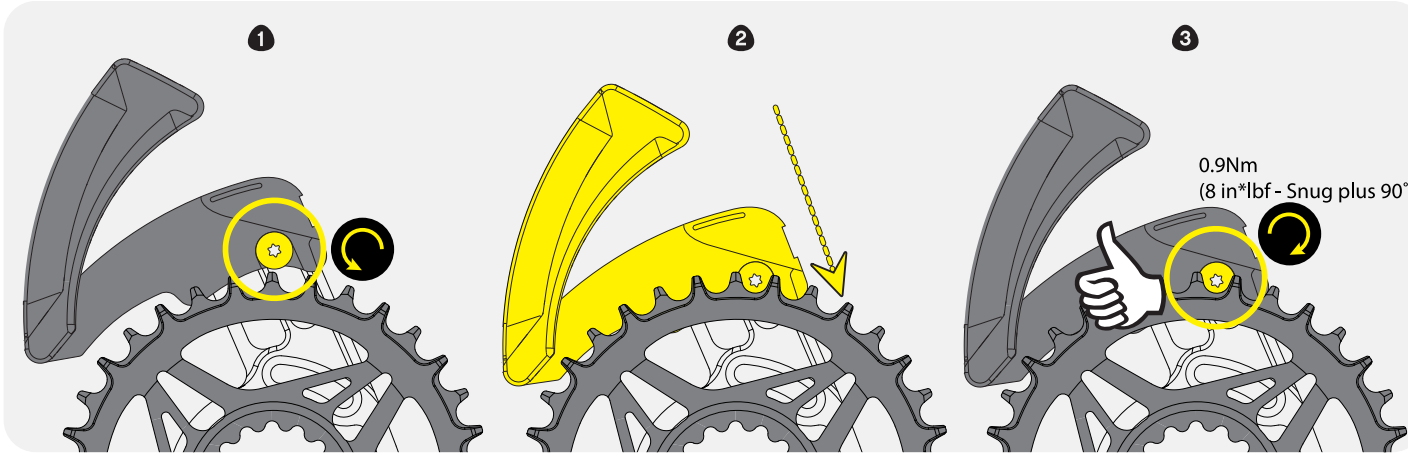


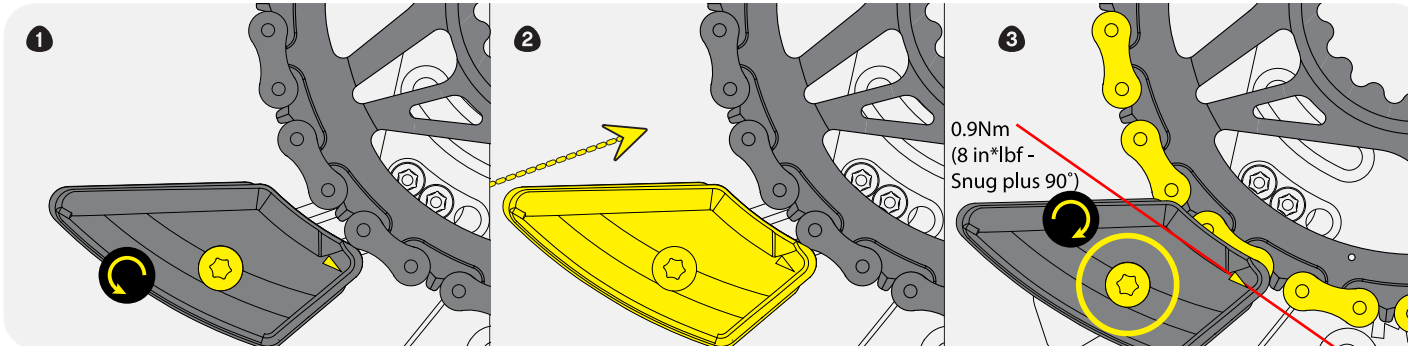
### OPENING UPPER SLIDER



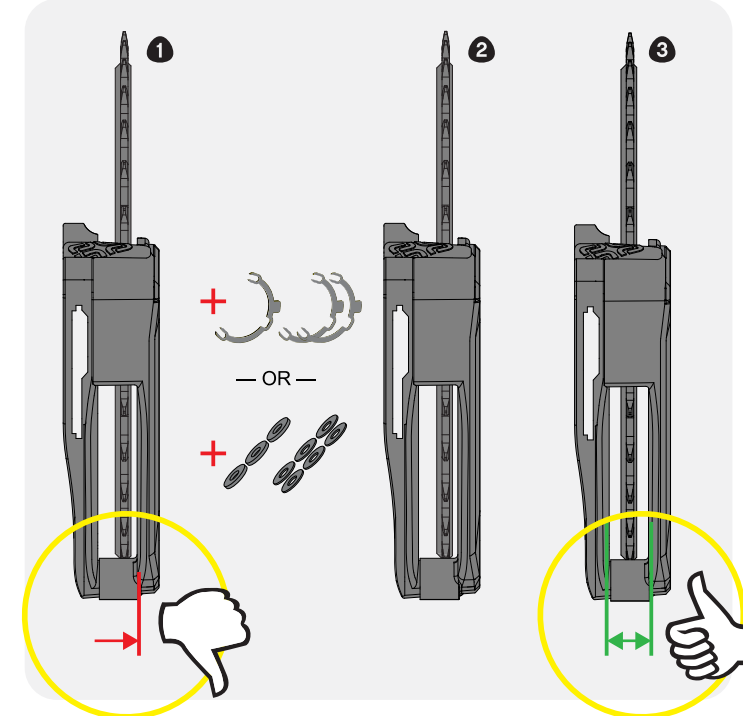
### SET UPPER SLIDER POSITION



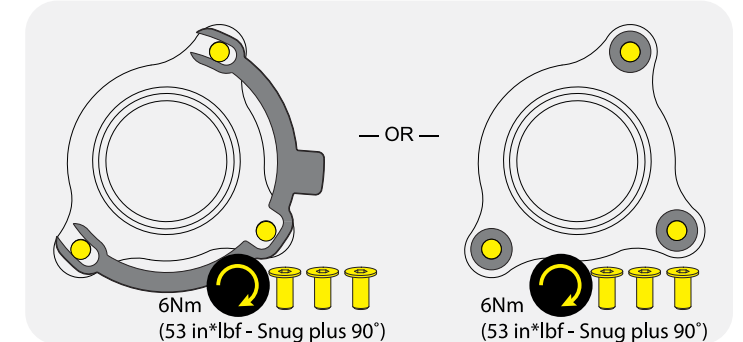
### SET LOWER SLIDER POSITION (LG1 ONLY)



### ADJUST CHAINLINE

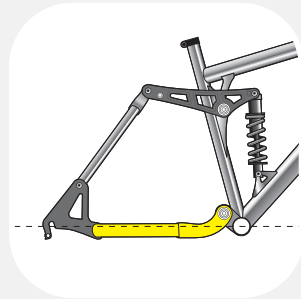
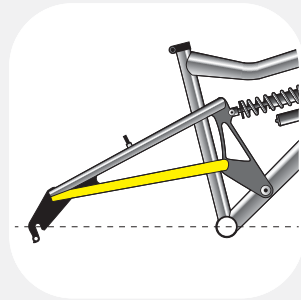
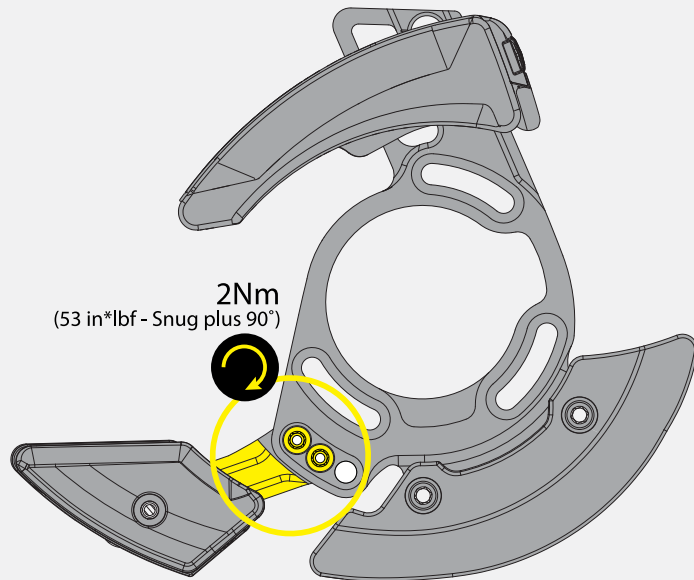


### SHIMS (ISCG05) & SPACERS



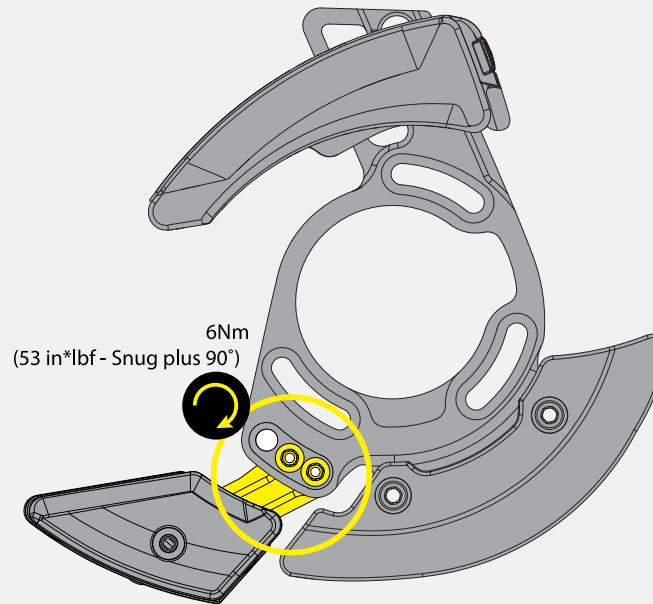
Questions? Contact us at [support@bythehive.com](mailto:support@bythehive.com) or [support.eu@bythehive.com](mailto:support.eu@bythehive.com)  
All technical documents are located at [www.bythehive.com/support](http://www.bythehive.com/support)

### ADJUST LOWER SLIDER



**NARROW POSITION**  
(NORMAL)

### ADJUST LOWER SLIDER



**WIDE POSITION**  
(BIKES WITH DROPPED CHAINSTAYS)

### GUIDE CLOCKING: PINCH BOLT AT 12 O'CLOCK

