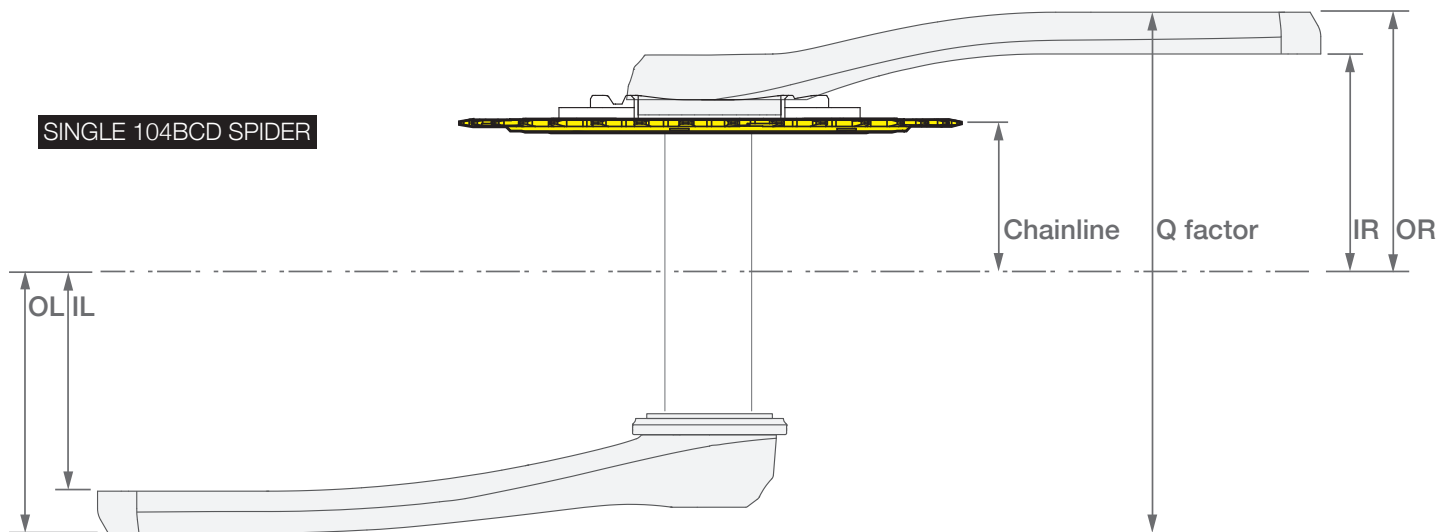


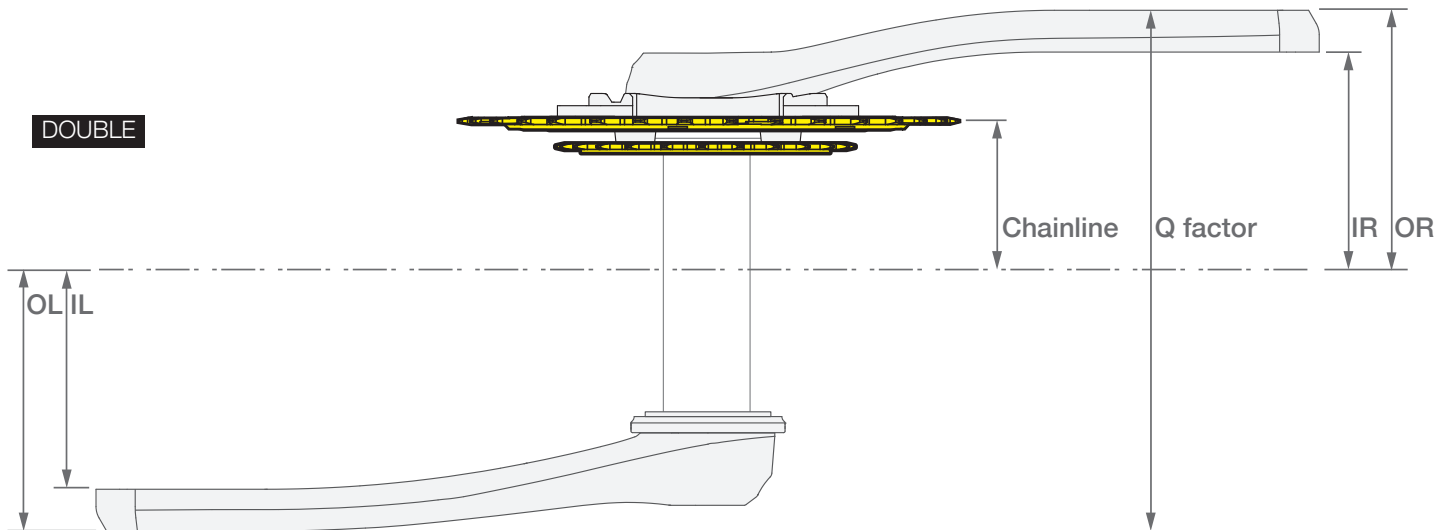
Model	IR	OR	IL	OL	Chainline	Q factor
200Q/73OS TRS Base / Plus - Fatbike Direct Mount Guidering M	87.00	100.00	87.00	100.00	66	200
210Q/78OS TRS Base / Plus - Fatbike Direct Mount Guidering M	92.00	105.00	92.00	105.00	69.9	210

IR: Centerline to inside Right Crank **OR:** Centerline to pedal interface counterbore on Right Crank
IL: centerline to inside Left Crank **OL:** centerline to pedal interface counterbore on Left Crank



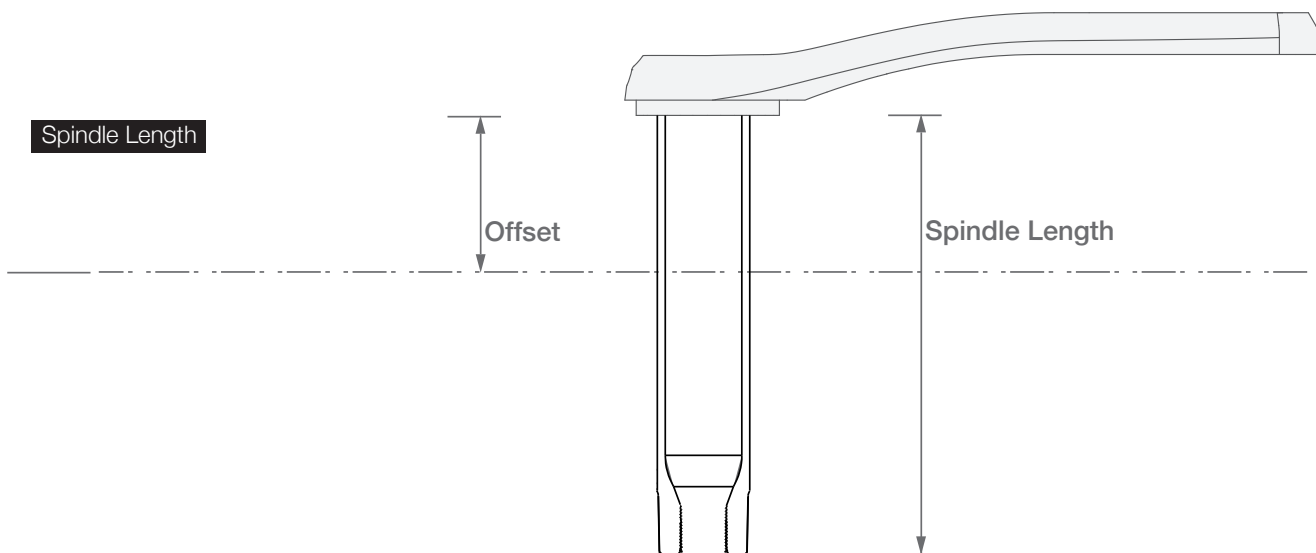
Model	IR	OR	IL	OL	Chainline	Q factor
200Q/73OS TRS Base / Plus - Fatbike 104BCD Guidering M w/0 offset spider	87.00	100.00	87.00	100.00	71.3/72.3	200
200Q/73OS TRS Base / Plus - Fatbike 104BCD Guidering M w/+3.5 offset spider	87.00	100.00	87.00	100.00	74.6/73.6	200
210Q/78OS TRS Base / Plus - Fatbike 104BCD Guidering M w/0 offset spider	92.00	105.00	92.00	105.00	76/75	210
210Q/78OS TRS Base / Plus - Fatbike 104BCD Guidering M w/+3.5 offset spider	92.00	105.00	92.00	105.00	79.3/78.3	210

IR: Centerline to inside Right Crank **OR:** Centerline to pedal interface counterbore on Right Crank
IL: centerline to inside Left Crank **OL:** centerline to pedal interface counterbore on Left Crank



Model	IR	OR	IL	OL	Chainline	Q factor
200Q/73OS TRS Base / Plus Fatbike Double w/0 offset spider	87.00	100.00	87.00	100.00	71.5	200
200Q/73OS TRS Base /Plus Fatbike Double w/+3.5 offset spider	87.00	100.00	87.00	100.00	74.8	200
210Q/78OS TRS Base / Plus Fatbike Double w/0 offset spider	92.00	105.00	92.00	105.00	76.5	210
210Q/78OS TRS Base /Plus Fatbike Double w/+3.5 offset spider	92.00	105.00	92.00	105.00	79.8	210

IR: Centerline to inside Right Crank **OR:** Centerline to pedal interface counterbore on Right Crank
IL: centerline to inside Left Crank **OL:** centerline to pedal interface counterbore on Left Crank



Model	Spindle length (actual)	Spindle length (Laser on end of spindle)	Offset
200Q/73OS TRS Base / Plus	146.00	145.00	73
210Q/78OS TRS Base /Plus	156.00	155.00	78