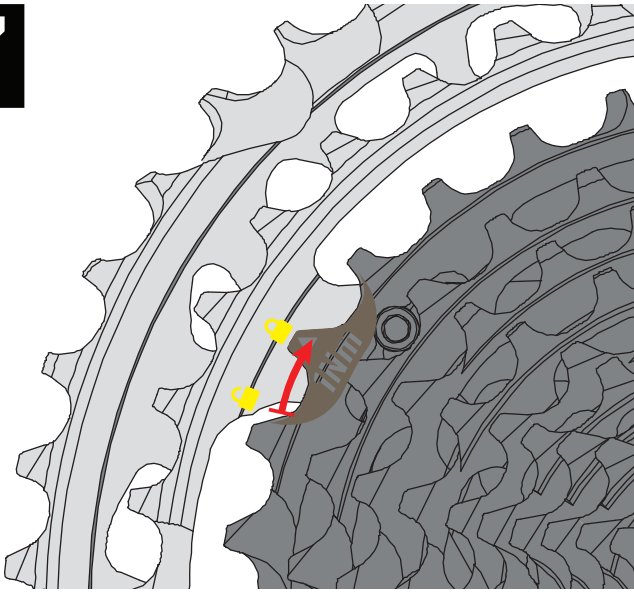
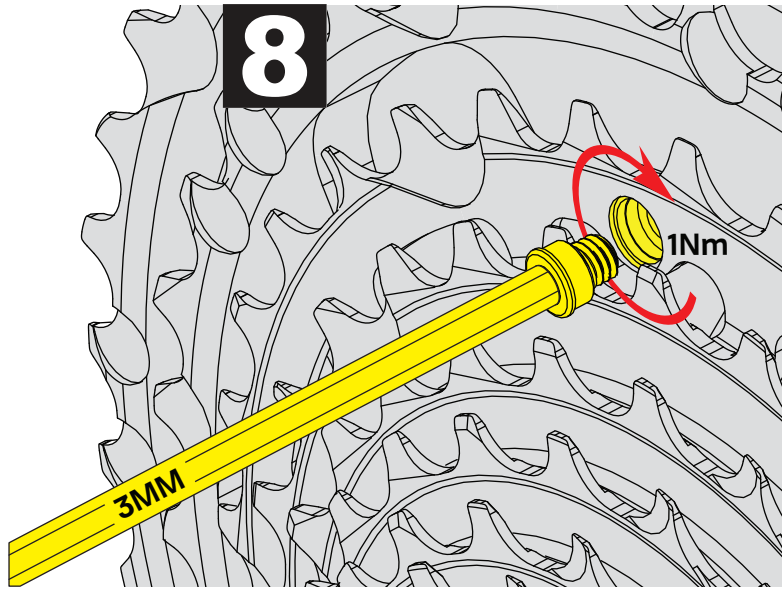


7

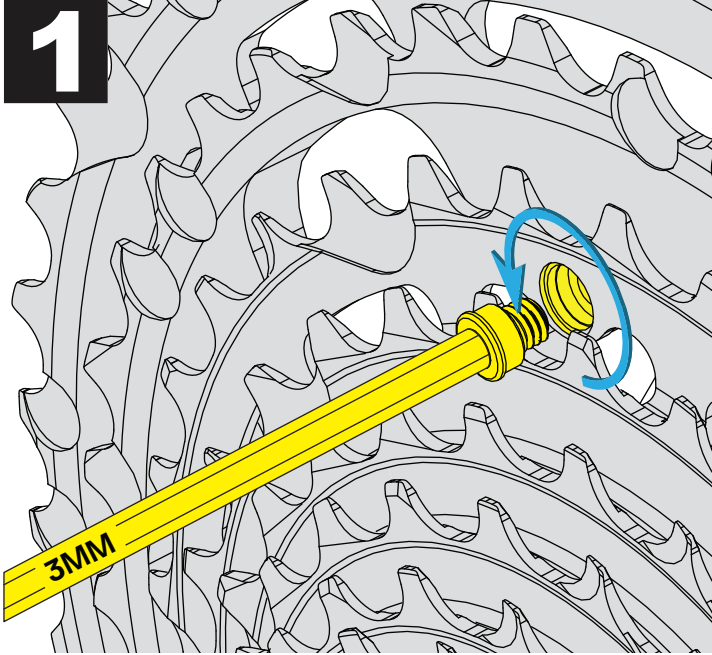


8

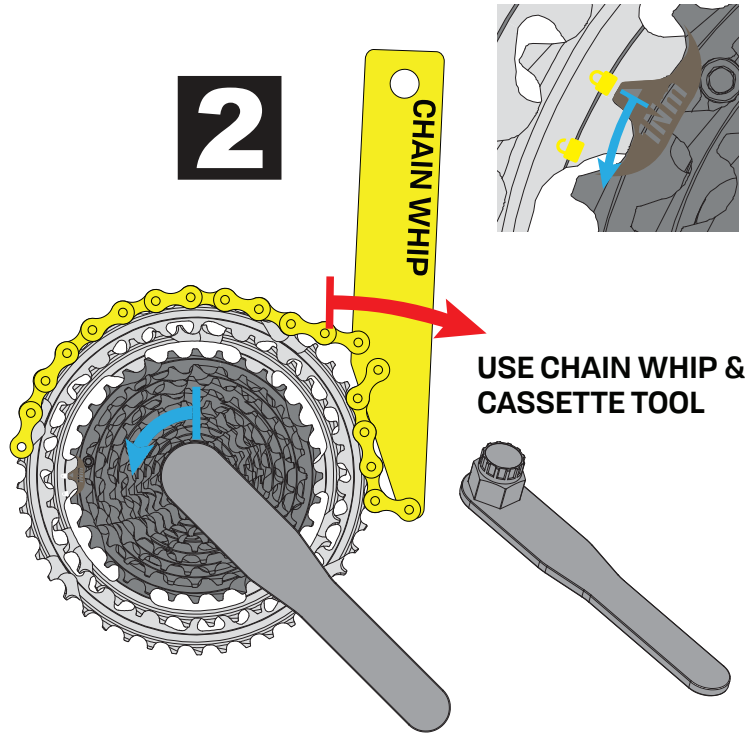


CASSETTE REMOVAL INSTRUCTIONS

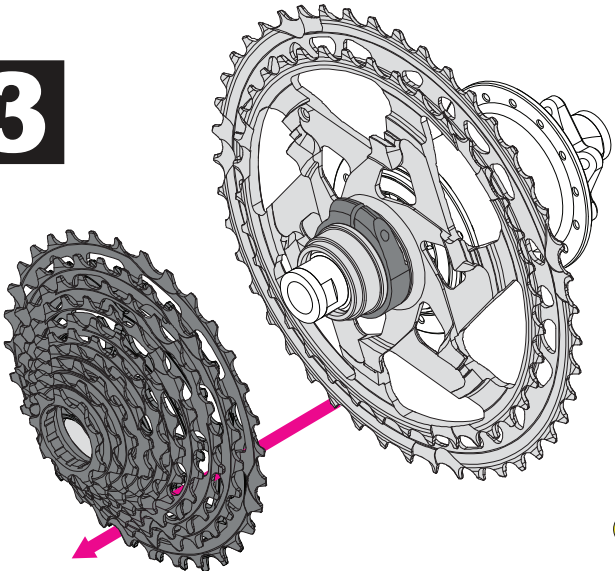
1



2



3



4

