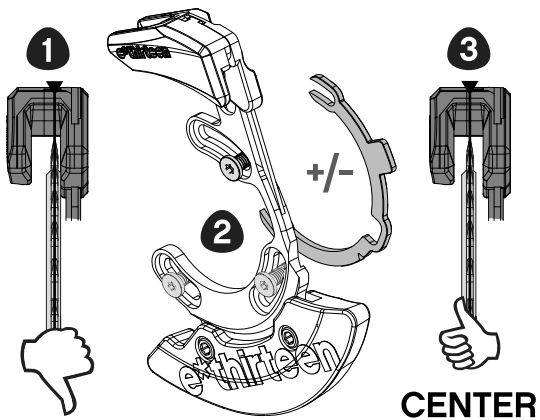
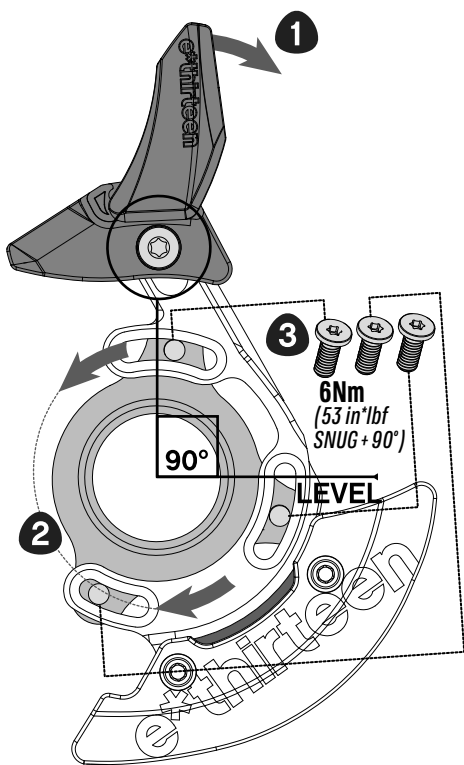
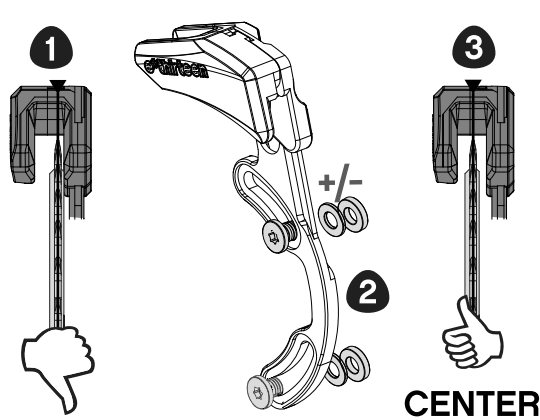
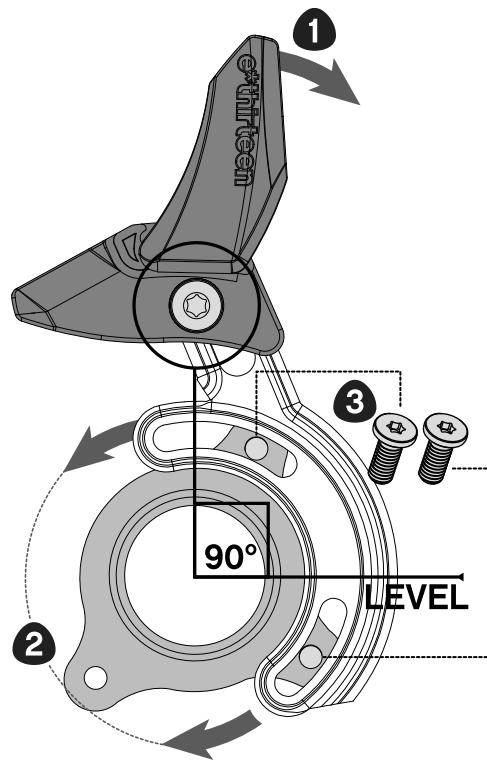


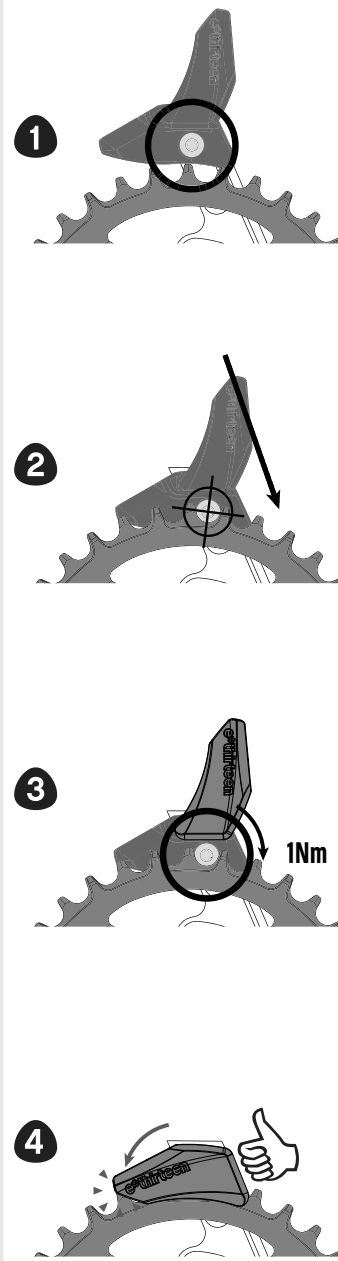
ISCG05 3-BOLT MOUNT



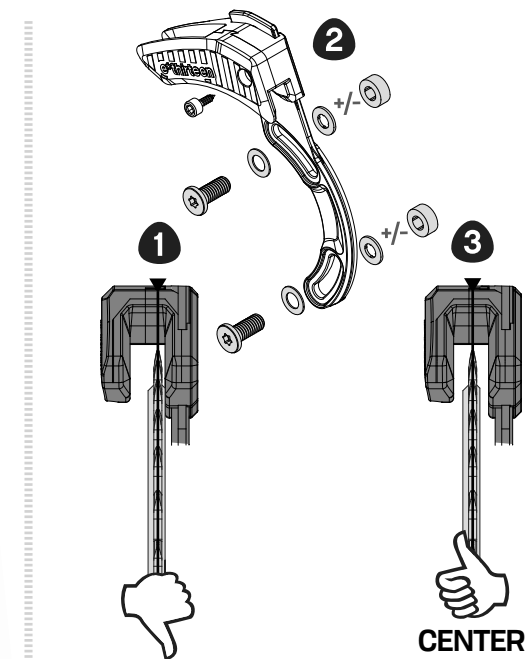
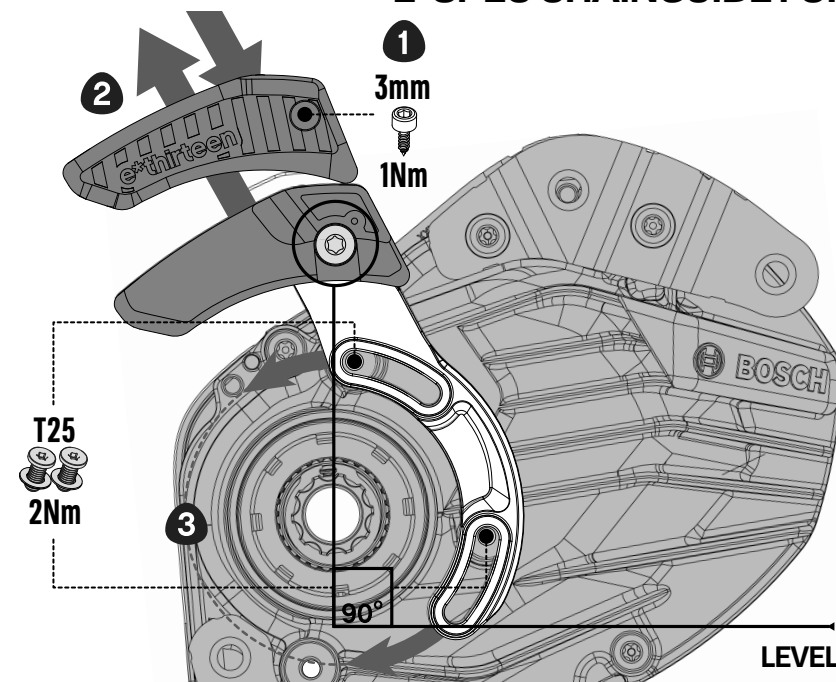
ISCG05 2-BOLT MOUNT



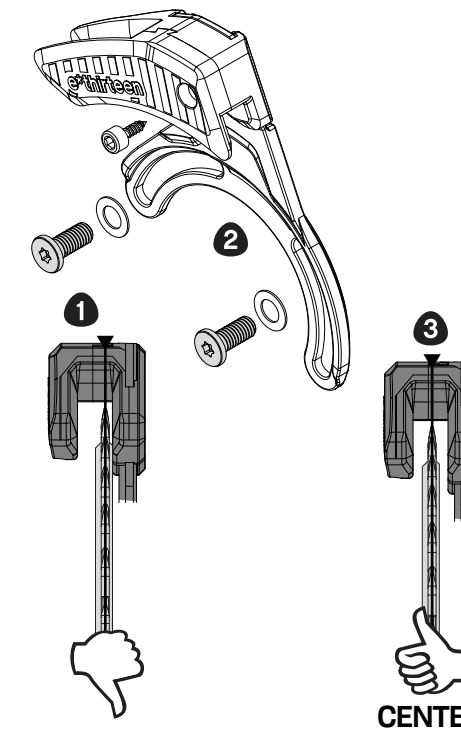
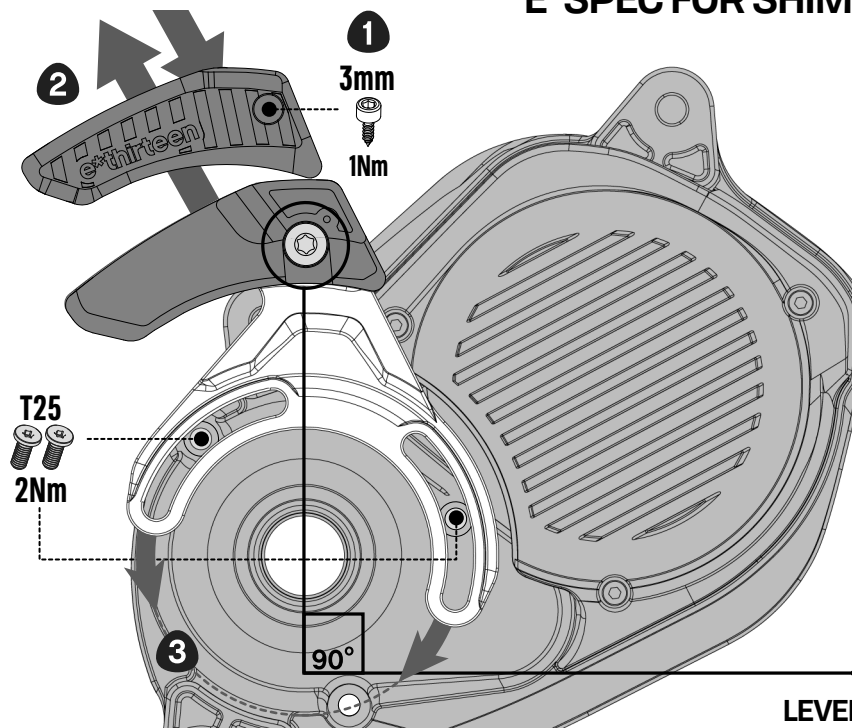
UPPER SLIDER
ALIGNMENT
ALL TRS GUIDES



E*SPEC CHAINGUIDE FOR BOSCH™



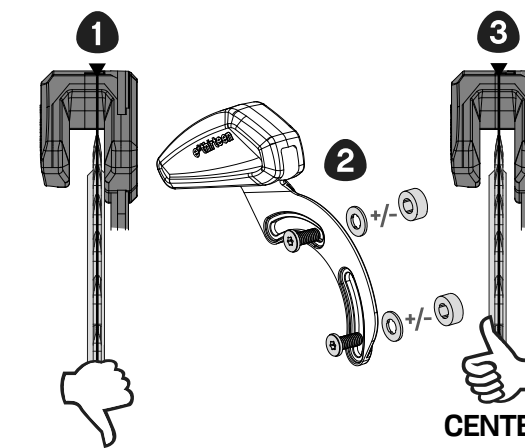
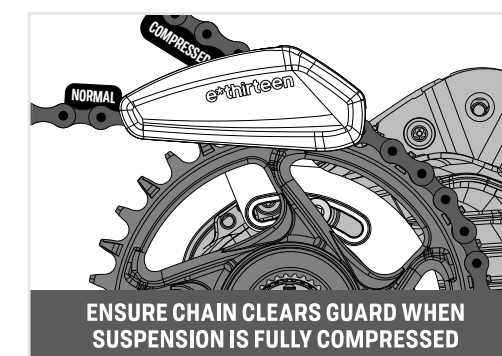
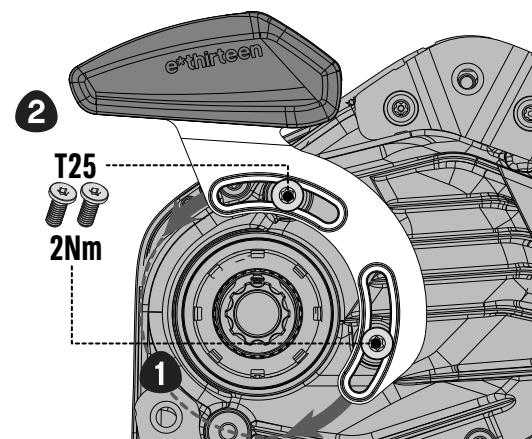
E*SPEC FOR SHIMANO™



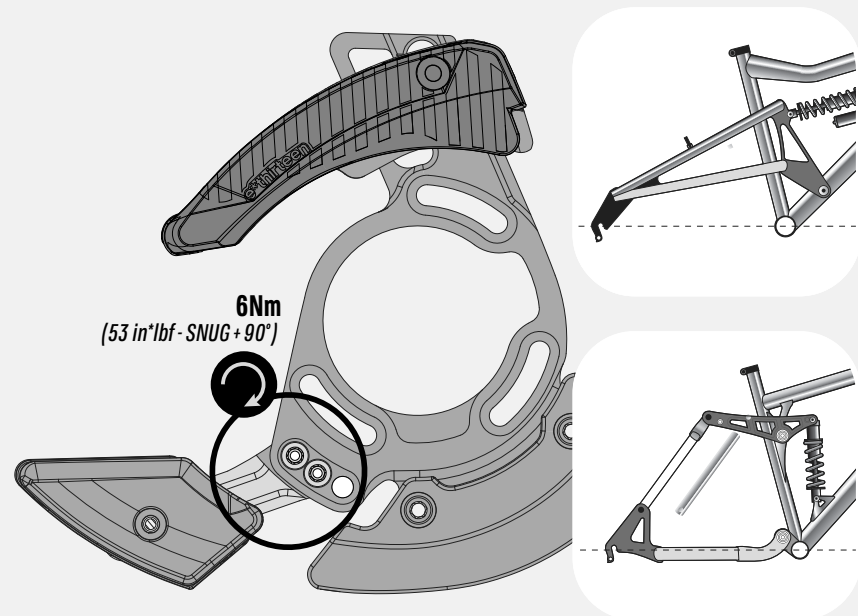
Tightening Torque Quick Reference

Onto Chainguide Backplate - ALL					Rollers and Sliders - All	
Bolt Type	Alloy	Steel	Plastic	Carbon	Bolt Type	Plastic
T25 Bolts	6Nm	6Nm	2Nm	2Nm	T25 Bolts	1Nm
Armature & Bashguard - LG1 Chainguides					Hex 3mm	
Bolt Type	Alloy	Steel	Plastic	Carbon	STILL HAVE QUESTIONS? VISIT SUPPORT.ETHIRTEEN.COM	
T25 Bolts	6Nm	6Nm	-	2Nm		

E*SPEC CHAINGUARD FOR BOSCH™

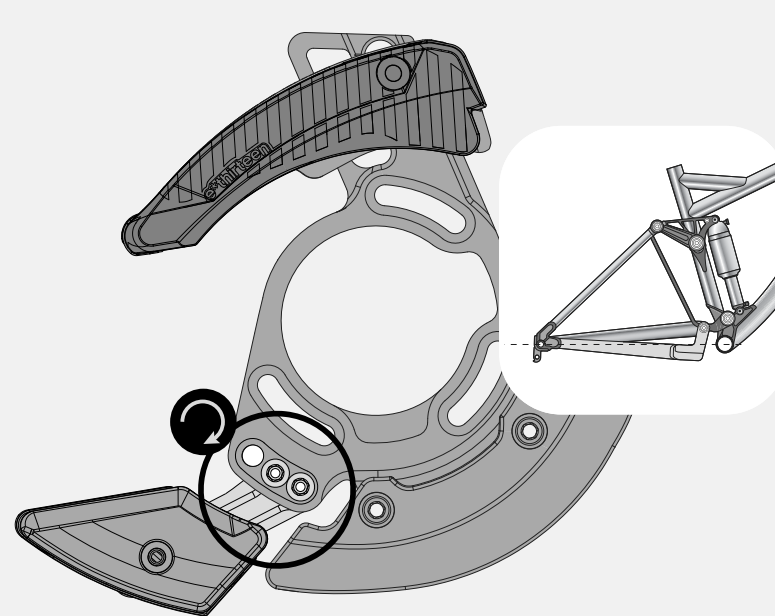


A1 SET LOWER ARMATURE POSITION



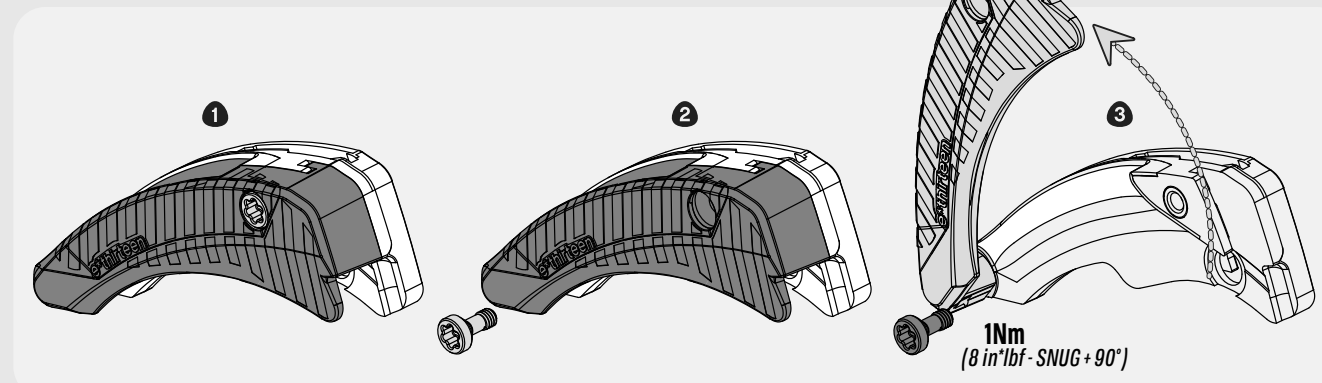
NARROW POSITION
(NORMAL)

A2 SET LOWER ARMATURE POSITION

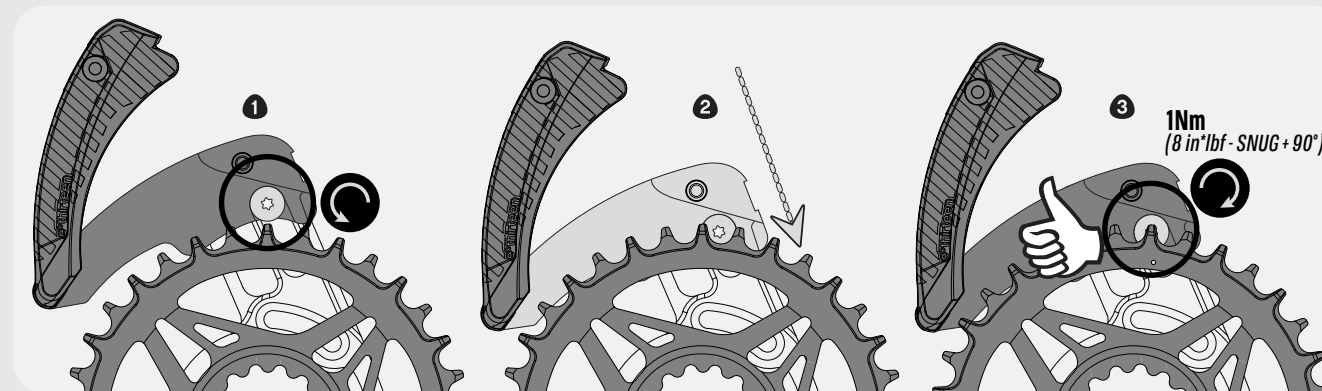


WIDE POSITION
(BIKES WITH DROPPED CHAINSTAYS)

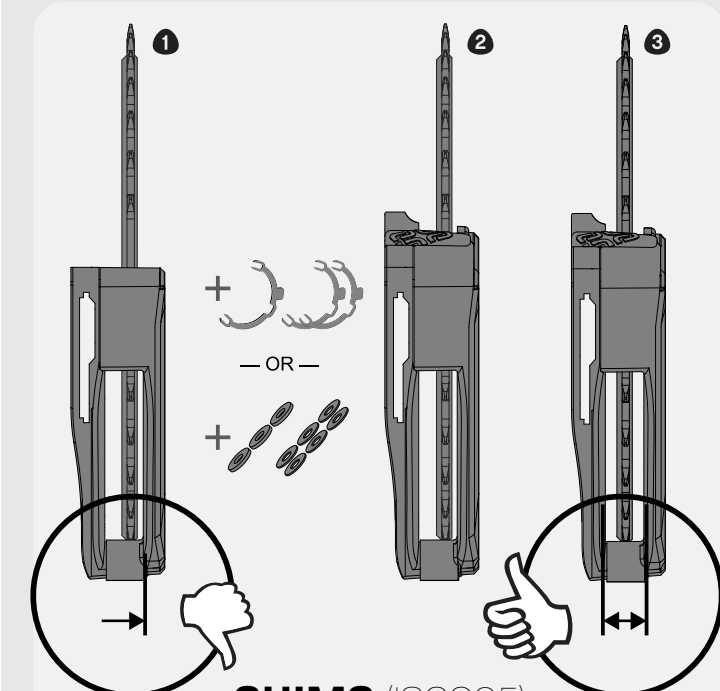
B OPENING UPPER SLIDER



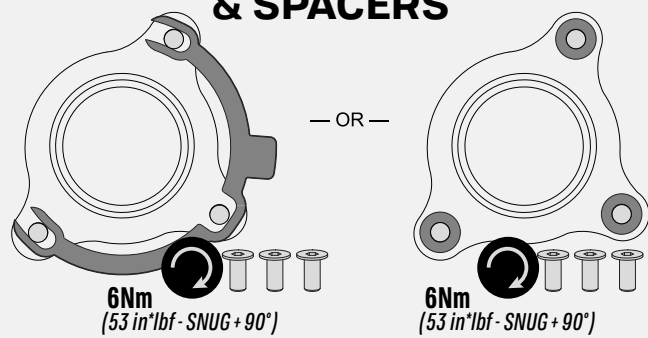
C SET UPPER SLIDER POSITION



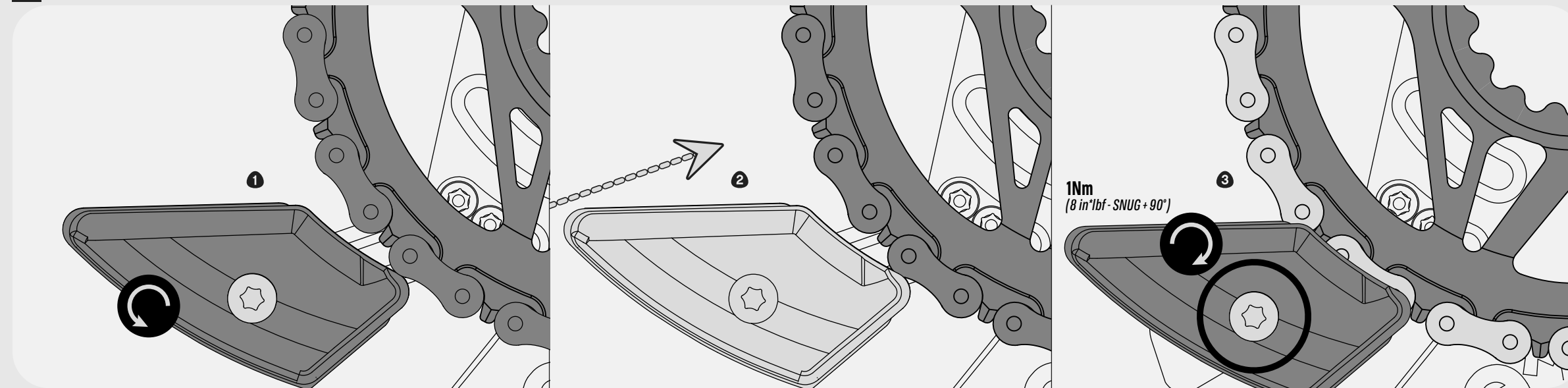
D ADJUST CHAINLINE



SHIMS (ISCG05) & SPACERS



E SET LOWER ROLLER POSITION



F GUIDE CLOCKING: PINCHBOLT AT 12 O'CLOCK

